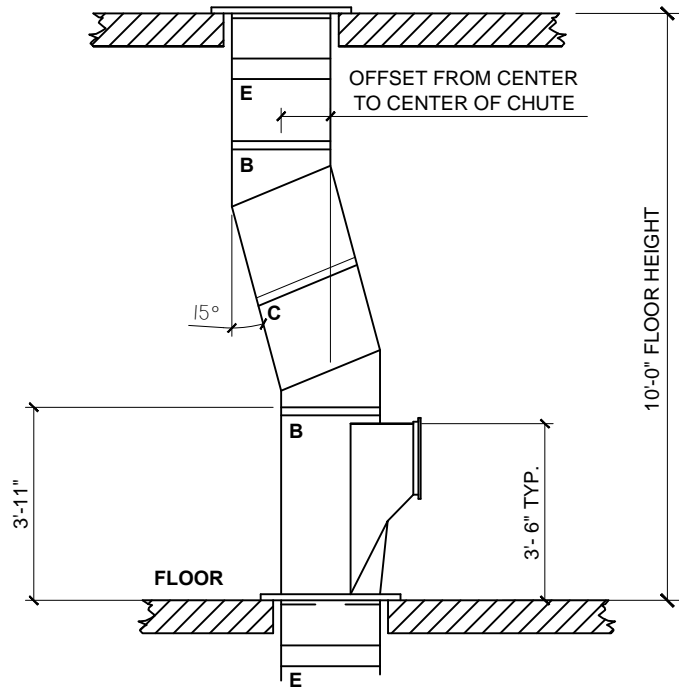
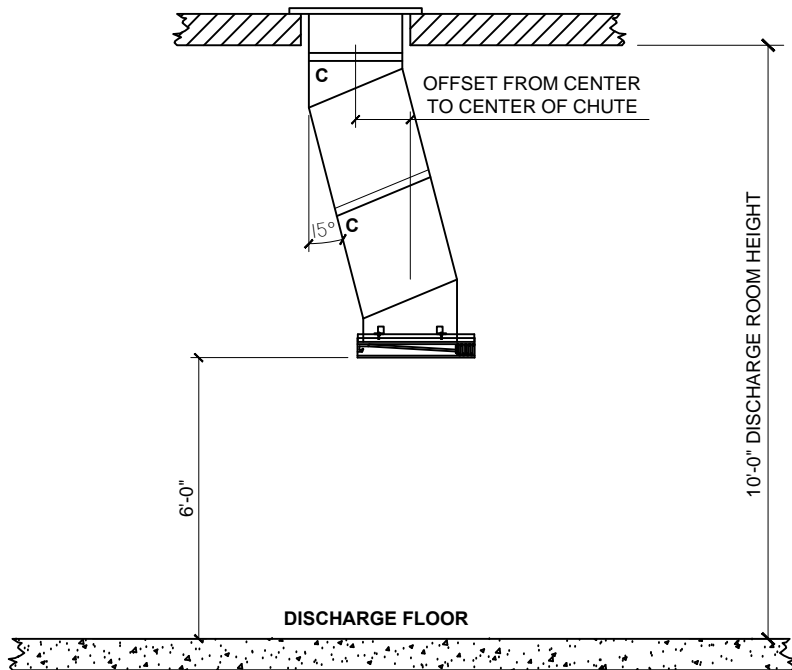


## OFFSET BETWEEN FLOORS

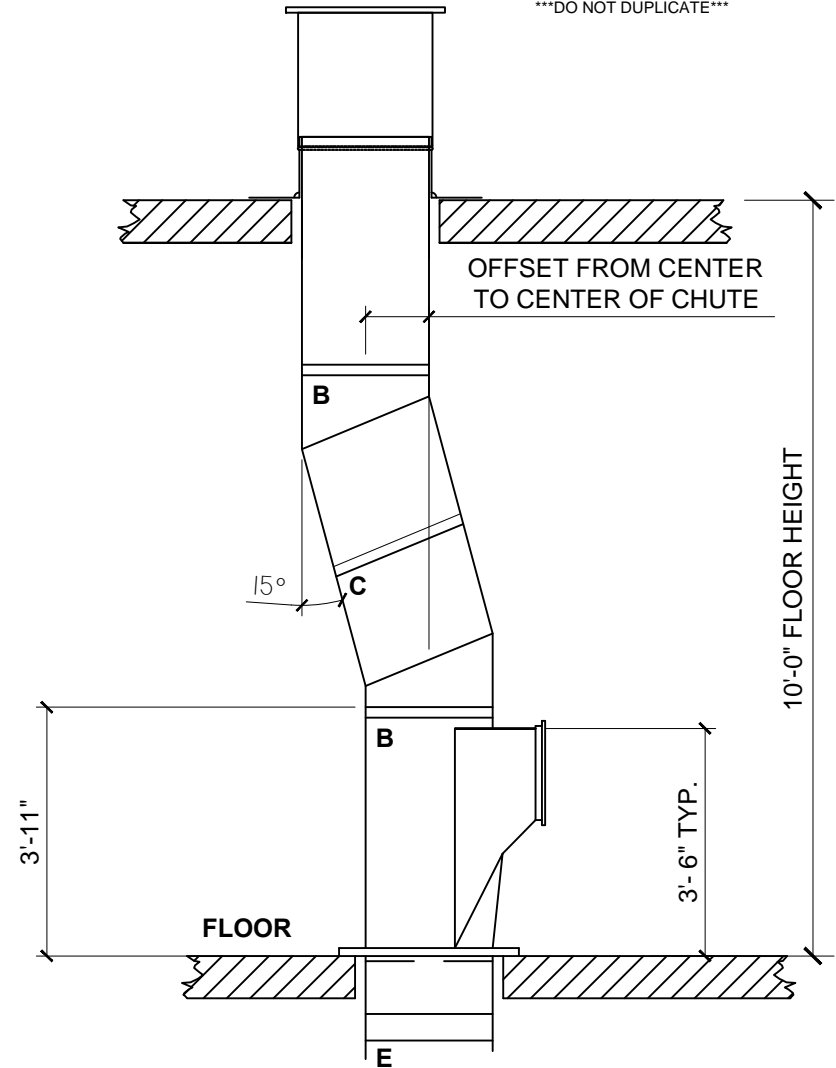


## OFFSET AT DISCHARGE LEVEL



## OFFSET AT VENT

THESE DRAWINGS AND SPECIFICATIONS ARE THE PROPERTY OF CHUTES INTERNATIONAL AND SHALL NOT BE REPRODUCED OR COPIED OR USED AS THE BASIS FOR THE MANUFACTURE OR SALE OF APPARATUS WITHOUT PERMISSION. \*\*\*DO NOT DUPLICATE\*\*\*



### Note:

- 1- Chute shall be permitted to be offset a maximum of 15 degrees from plumb.
- 2- Offset shall be limited to a maximum of one offset for every 2 floors.
- 3- OFFSETS MORE THAN 15° SHALL REQUIRE FIRE MARSHALL APPROVAL.

## TYPICAL OFFSET

DATE: 04/15/2013

Drawn By: KF

Revision: A

Approved By: HSS

**CHUTES**  
INTERNATIONAL  
MANUFACTURING

Phone: (301) 753-4100  
Toll Free: 800-88-CHUTE  
Fax: (301) 753-4109  
4400 Austin Lane  
White Plains, MD 20695  
WWW.CHUTES.COM

© 2013 CHUTES International