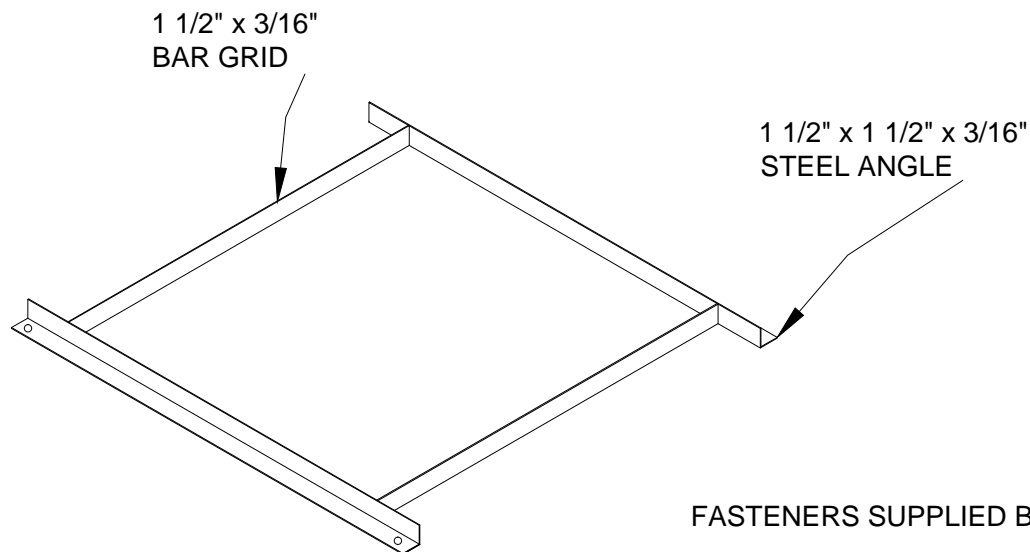
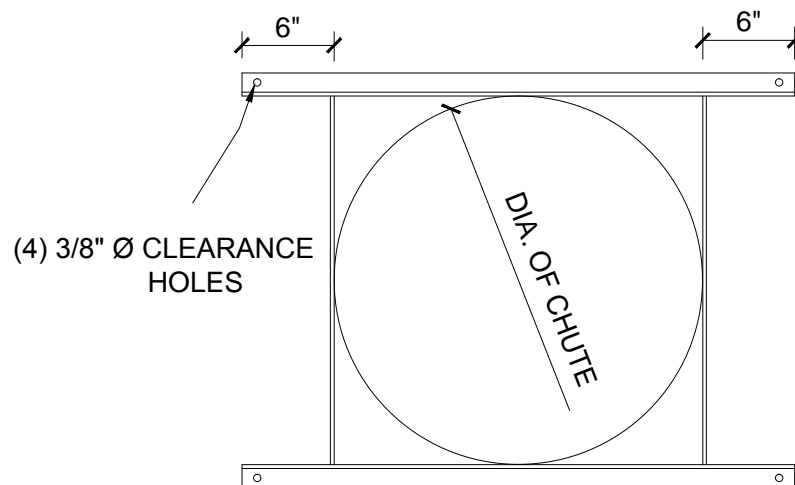


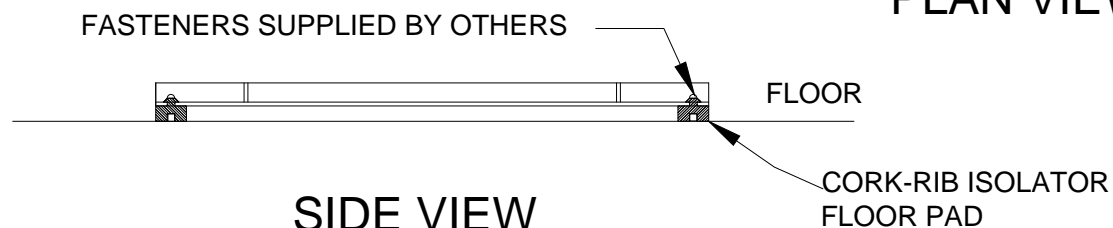
NOTES:
 TYPICAL 24", 28", & 30"Ø FLOOR FRAMES ARE FABRICATED OF 1 1/2" x 1 1/2" x 3/16"
 STEEL ANGLE AND 1 1/2" x 3/16" BAR STOCK. **** (36"Ø & LARGER FLOOR FRAMES ARE
 UPGRADED TO 1 1/2" X 1 1/2" X 1/4" ANGLE.)**



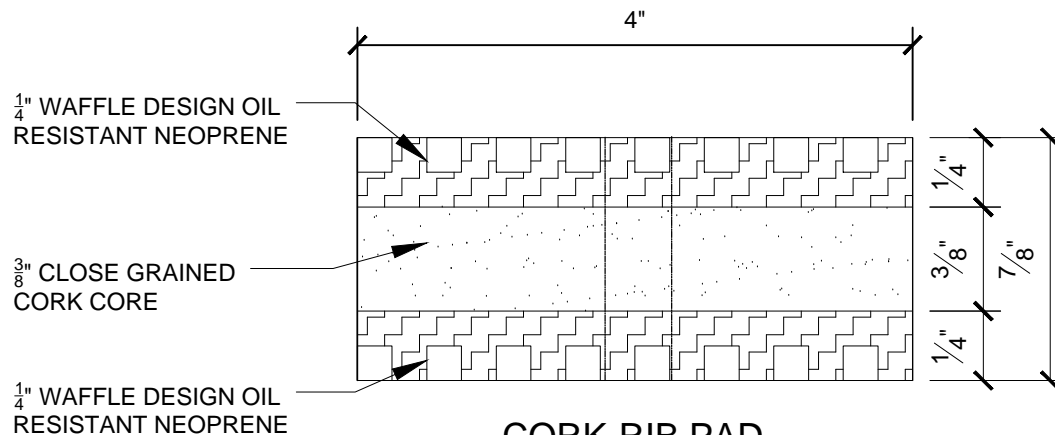
ISOMETRIC VIEW



PLAN VIEW



SIDE VIEW



CORK-RIB PAD
 SIDE VIEW

THESE DRAWINGS AND SPECIFICATIONS ARE THE PROPERTY OF
 CHUTES INTERNATIONAL
 AND SHALL NOT BE REPRODUCED OR COPIED OR USED AS THE
 BASIS FOR THE MANUFACTURE OR SALE OF APPARATUS
 WITHOUT PERMISSION.
 DO NOT DUPLICATE

TYPICAL FLOOR FRAME & ISOLATOR PADS	
DATE: 04/13/2013	Drawn By: HSS
Revision: A	Approved By: HSS
	Phone: (301) 753-4100 Toll Free: 800-88-CHUTE Fax: (301) 753-4109 4400 Austin Lane White Plains, MD 20695 WWW.CHUTES.COM
	© 2013 CHUTES International