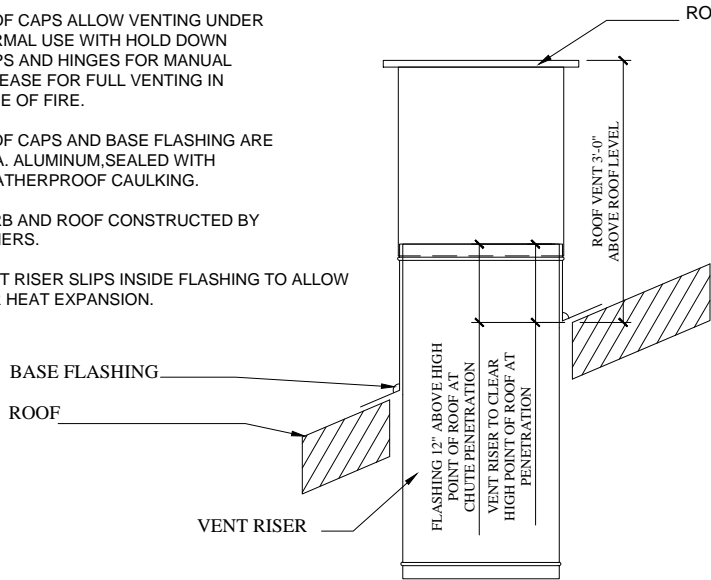


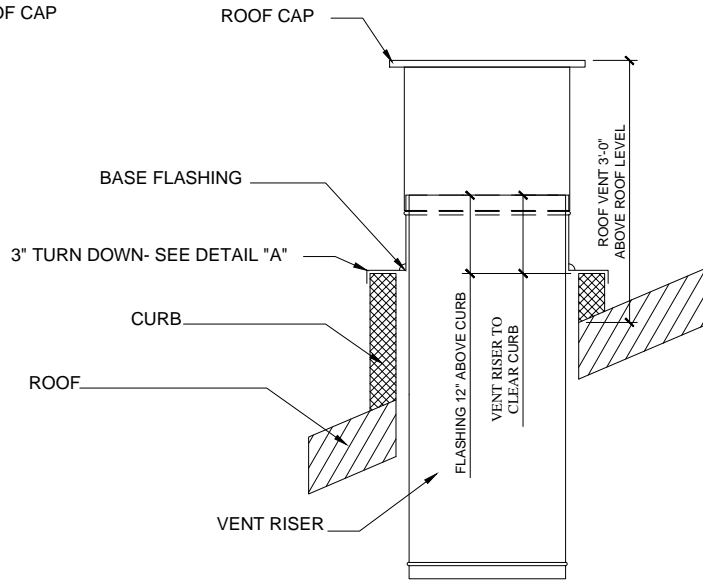
**NOTES:**

1. CUSTOMER TO PROVIDE MEASUREMENTS FOR CURB.
2. ROOF CAPS ALLOW VENTING UNDER NORMAL USE WITH HOLD DOWN CLIPS AND HINGES FOR MANUAL RELEASE FOR FULL VENTING IN CASE OF FIRE.
3. ROOF CAPS AND BASE FLASHING ARE 12GA. ALUMINUM, SEALED WITH WEATHERPROOF CAULKING.
4. CURB AND ROOF CONSTRUCTED BY OTHERS.
5. VENT RISER SLIPS INSIDE FLASHING TO ALLOW FOR HEAT EXPANSION.

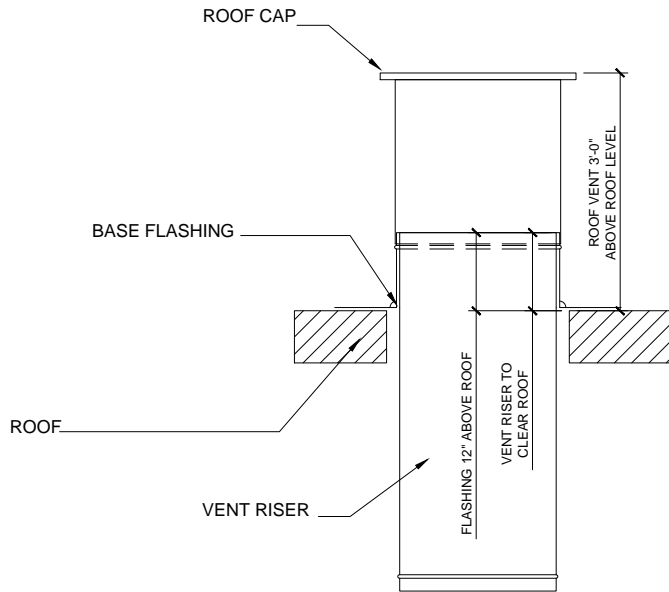
THESE DRAWINGS AND SPECIFICATIONS ARE THE PROPERTY OF CHUTES INTERNATIONAL AND SHALL NOT BE REPRODUCED OR COPIED OR USED AS THE BASIS FOR THE MANUFACTURE OR SALE OF APPARATUS WITHOUT PERMISSION. \*\*\*DO NOT DUPLICATE\*\*\*



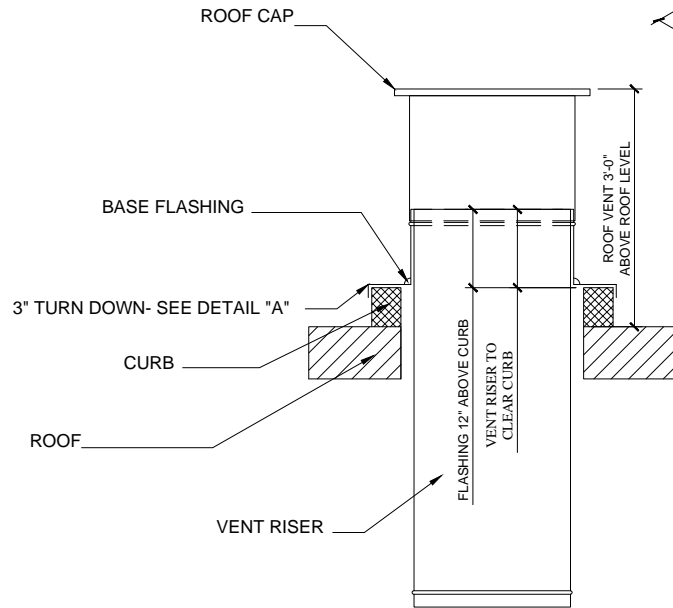
**PITCHED ROOF FLASHING**



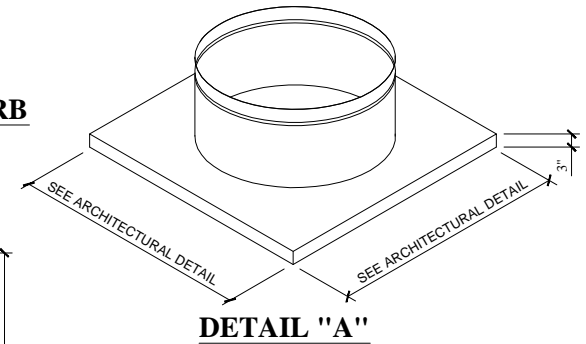
**PITCHED ROOF CURB**



**FLAT ROOF FLASHING**



**FLAT ROOF CURB**



**DETAIL "A"**

**TYPICAL ROOF VENTS AND FLASHING CONFIGURATIONS**

DATE: 04/16/2013 Drawn By: HK

Revision: A Approved By: HSS

**CHUTES**  
INTERNATIONAL  
MANUFACTURING

Phone: (301) 753-4100  
Toll Free: 800-88-CHUTE  
Fax: (301) 753-4109  
4400 Austin Lane  
White Plains, MD 20695  
WWW.CHUTES.COM

© 2013 CHUTES International