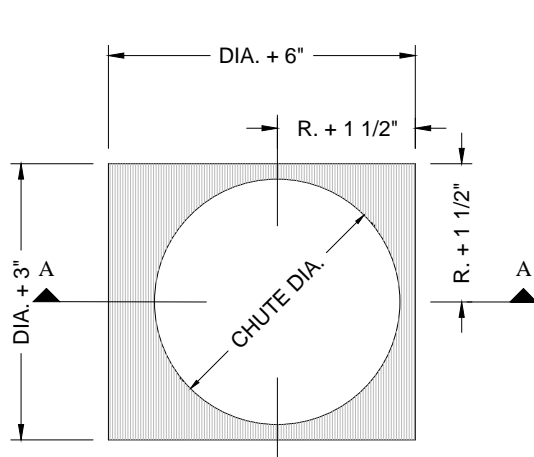
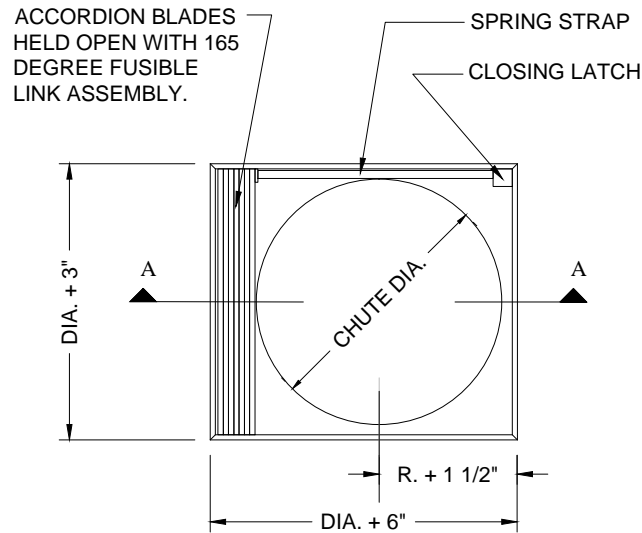


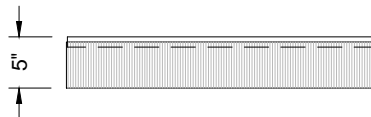
THESE DRAWINGS AND SPECIFICATIONS ARE THE PROPERTY OF CHUTES INTERNATIONAL AND SHALL NOT BE REPRODUCED OR COPIED OR USED AS THE BASIS FOR THE MANUFACTURE OR SALE OF APPARATUS WITHOUT PERMISSION.  
 \*\*\*DO NOT DUPLICATE\*\*\*



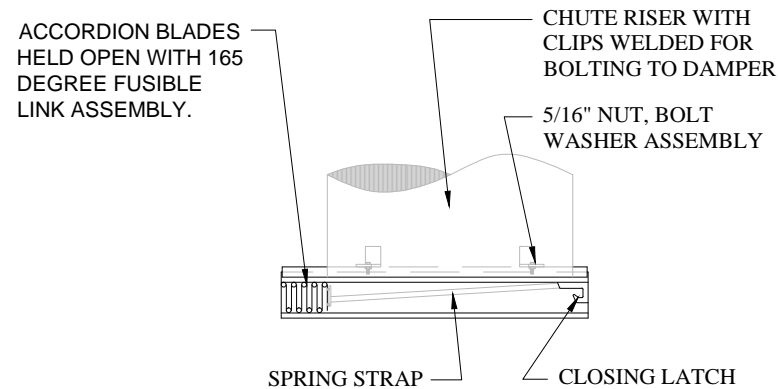
**PLAN (ABOVE)**



**PLAN (INSIDE)**



**SIDE ELEVATION**



**SECTION A-A**

**NOTE:**

The horizontal direct type accordion damper is most commonly used when discharging directly into a bin or compactor. The damper bears a 1 1/2 hr. UL label and is held open by a spring loaded fusible link assembly. This door is intended to provide smoke and fire protection to the chute riser and is not designed to perform as a chute shut off gate.

**ACCORDION FIRE DAMPER DISCHARGE**

DATE: 04/11/2013      Drawn By: HK

Revision: A      Approved By: HSS

**CHUTES**  
 INTERNATIONAL  
 MANUFACTURING  
 © 2013 CHUTES International

Phone: (301) 753-4100  
 Toll Free: 800-88-CHUTE  
 Fax: (301) 753-4109  
 4400 Austin Lane  
 White Plains, MD 20695  
 WWW.CHUTES.COM