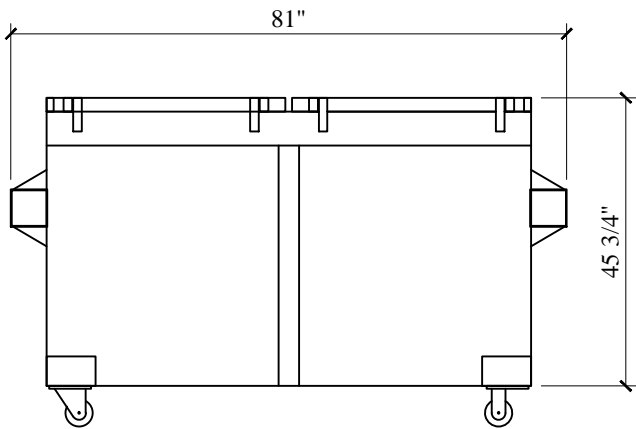
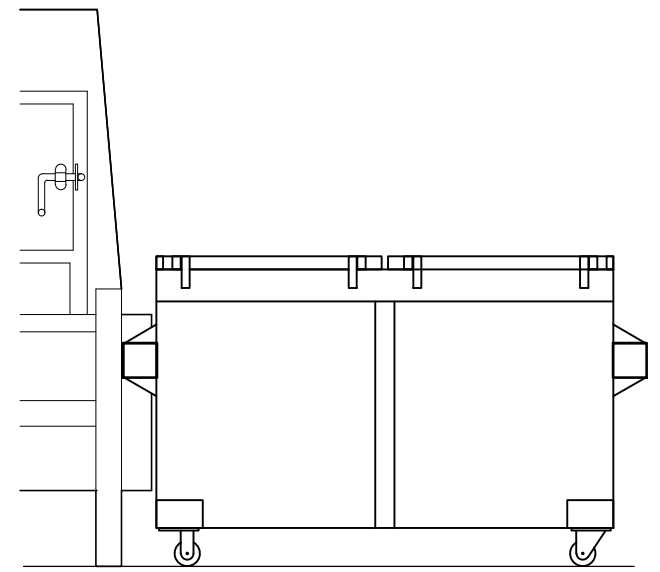
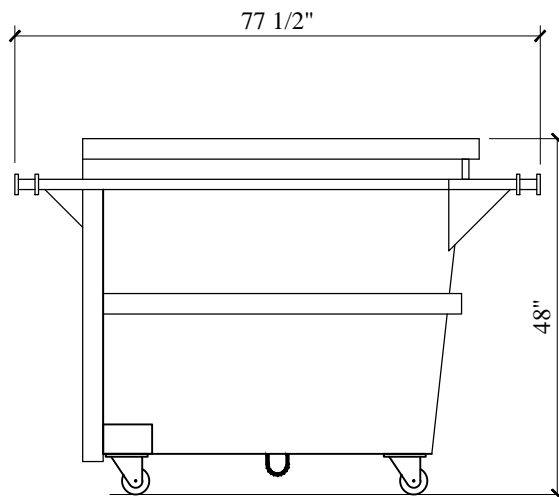


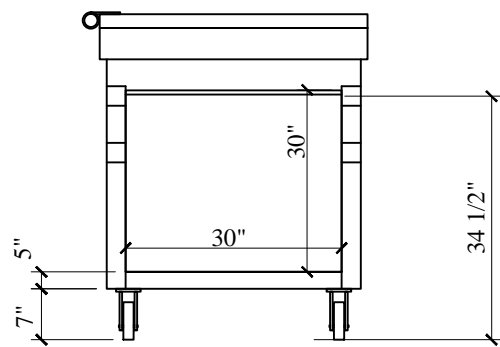
FRONT LOADING



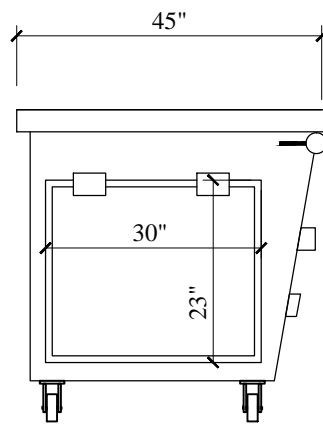
REAR LOADING



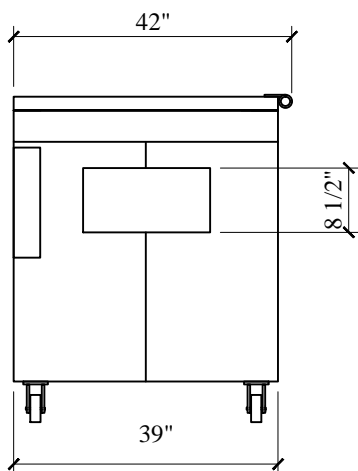
SIDE VIEW



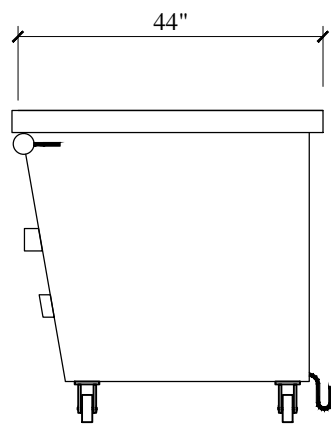
SIDE VIEW



SIDE VIEW



SIDE VIEW



SIDE VIEW

SIDE VIEW

MATERIALS

1	SIDES -	12 GA. STEEL
	BOTTOM -	10 GA. STEEL
	LIDS -	14 GA. STEEL
	POCKETS -	7 GA. STEEL
	CASTER PADS -	10 GA. STEEL
	CHANNELS -	10 GA. STEEL
	CHARGING DOOR -	10 GA. STEEL
	REINFORCING CHANNEL @ 6" CASTER -	3/16" STEEL
	BAFFLE -	10 GA. STEEL

2) 4) 6" CASTERS

PICK UP OPTIONS:

- 3) FRONT LOAD PICK UP
- REAR LOAD PICK UP

THESE DRAWINGS AND SPECIFICATIONS ARE THE PROPERTY OF CHUTES INTERNATIONAL AND SHALL NOT BE REPRODUCED OR COPIED OR USED AS THE BASIS FOR THE MANUFACTURE OR SALE OF APPARATUS WITHOUT PERMISSION. ***DO NOT DUPLICATE***

2 CUBIC YARD COMPACTOR CAN

1ST SUBMITTAL		
RESUBMITTAL		
APPROVED FOR FAB.		

Job Name: _____

Customer: _____

City: _____

State: _____

Item: 2 CUBIC YARD COMPACTOR CAN

PO No. _____ JOB No. _____

CHUTES
INTERNATIONAL
MANUFACTURING

Phone: (301) 753-4100
Toll Free: 800-88-CHUTE
Fax: (301) 753-4109
4400 Austin Lane
White Plains, MD 20695
WWW.CHUTES.COM