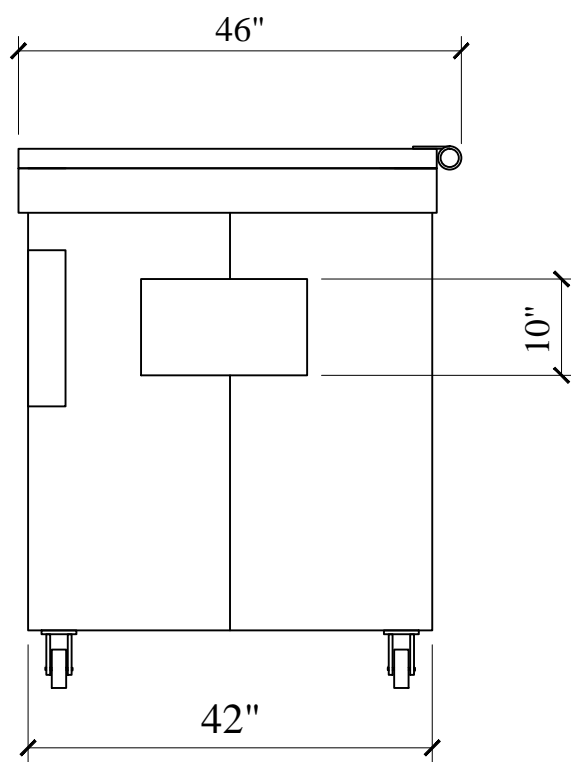
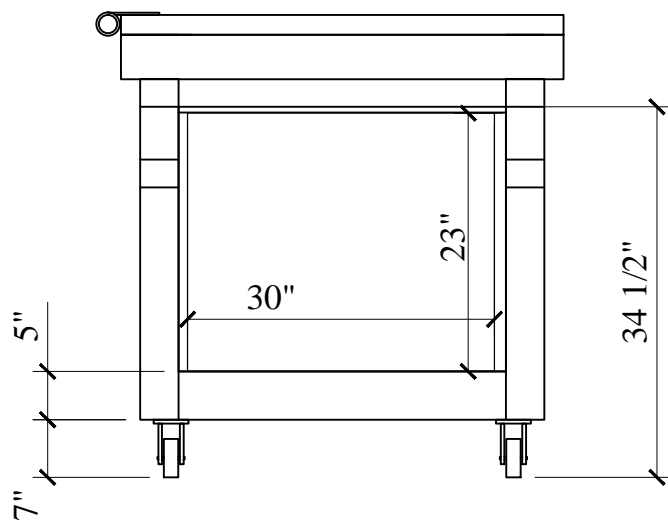


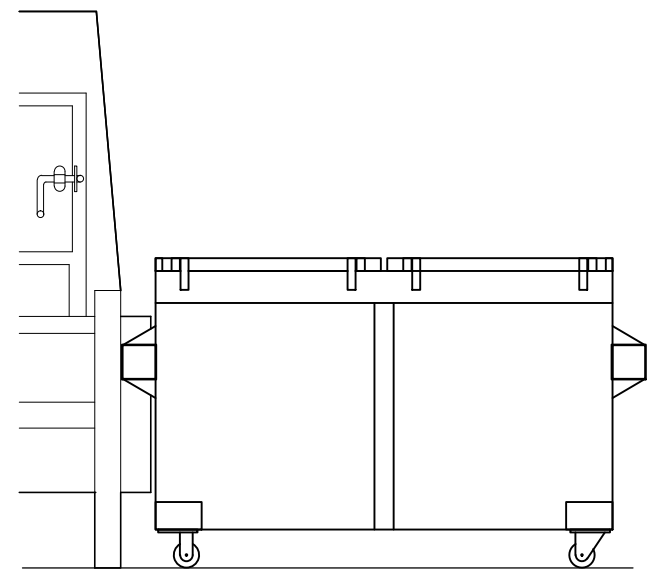
**SIDE VIEW**



**SIDE VIEW**



**SIDE VIEW**



**MATERIALS**

1	SIDES -	12 GA. STEEL
	BOTTOM -	10 GA. STEEL
	LIDS -	14 GA. STEEL
	POCKETS -	7 GA. STEEL
	CASTER PADS -	10 GA. STEEL
	CHANNELS -	10 GA. STEEL
	CHARGING DOOR -	10 GA. STEEL
	REINFORCING CHANNEL @ 6" CASTER -	3/16" STEEL
	BAFFLE -	10 GA. STEEL

2 4) 6" CASTERS

3 **FRONT LOAD PICK UP ONLY**

THESE DRAWINGS AND SPECIFICATIONS ARE THE PROPERTY OF CHUTES INTERNATIONAL AND SHALL NOT BE REPRODUCED OR COPIED OR USED AS THE BASIS FOR THE MANUFACTURE OR SALE OF APPARATUS WITHOUT PERMISSION. \*\*\*DO NOT DUPLICATE\*\*\*

**3 CUBIC YARD COMPACTOR CAN**

1ST SUBMITTAL		
RESUBMITTAL		
APPROVED FOR FAB.		

Job Name:	
Customer:	
City:	
State:	
Item:	3 CUBIC YARD COMPACTOR CAN
PO No.	JOB No.

**CHUTES**  
INTERNATIONAL  
MANUFACTURING

Phone: (301) 753-4100  
Toll Free: 800-88-CHUTE  
Fax: (301) 753-4109  
4400 Austin Lane  
White Plains, MD 20695  
WWW.CHUTES.COM