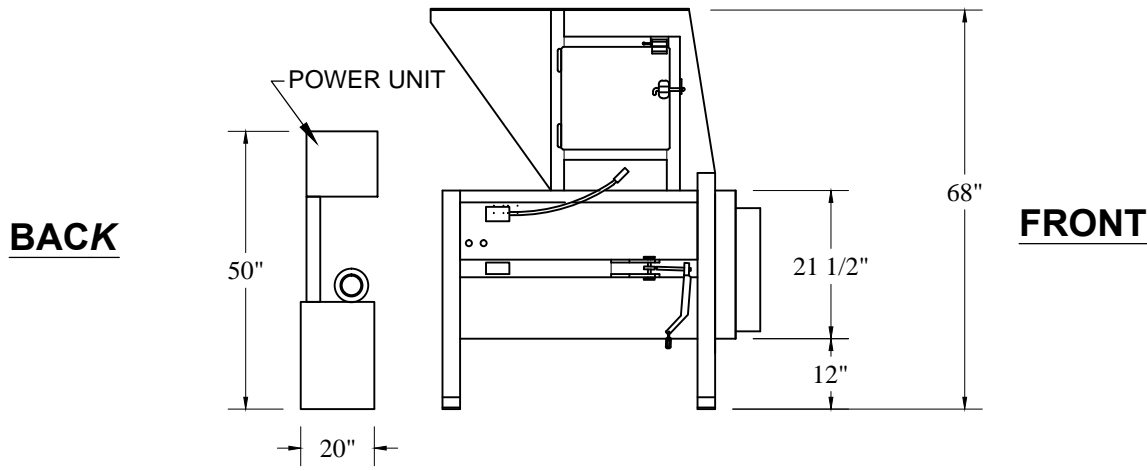
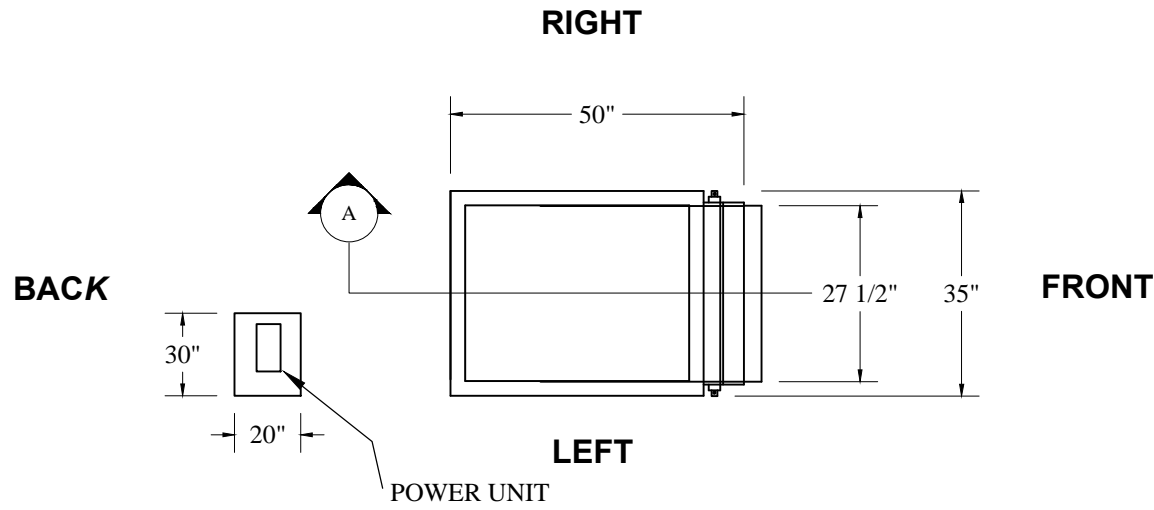


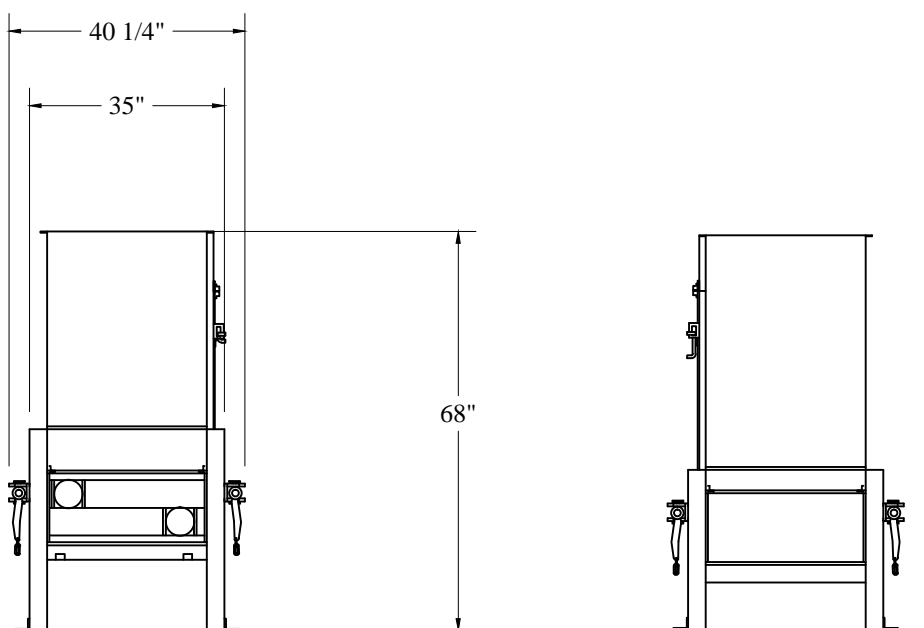
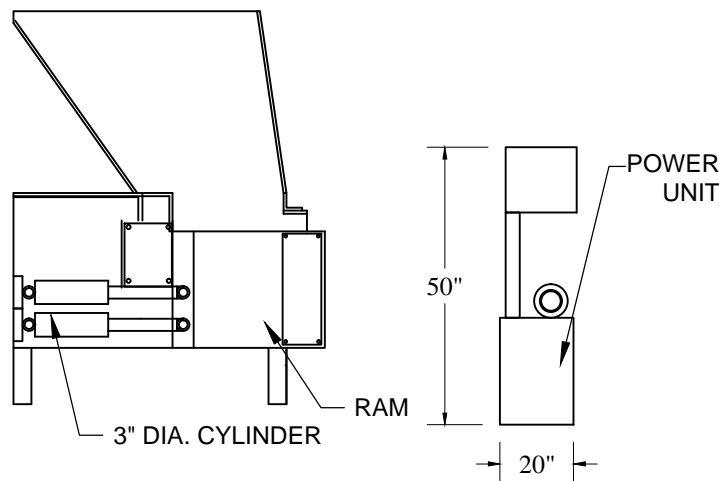
LEFT VIEW



TOP VIEW

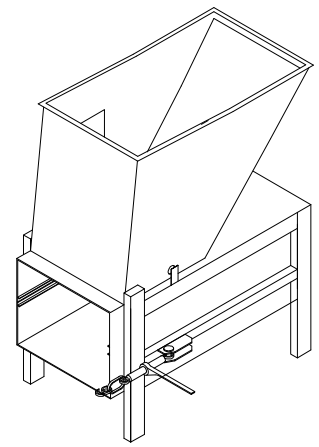


SECTION 'A'



REAR VIEW

FRONT VIEW



THESE DRAWINGS AND SPECIFICATIONS ARE THE PROPERTY OF CHUTES INTERNATIONAL AND SHALL NOT BE REPRODUCED OR COPIED OR USED AS THE BASIS FOR THE MANUFACTURE OR SALE OF APPARATUS WITHOUT PERMISSION. ***DO NOT DUPLICATE***

- | | |
|----|---|
| 1 | WEIGHT : 1500 LBS
CYCLE TIME : 45 SECONDS APPROX. |
| 2 | STRUCTURE
SIDE STRUCTURE : 1/4" C.R. STEEL
BOTTOM OF COMPACTOR : 1/4" + 1/4" WEAR PLATE
BOTTOM / FRONT OF RAM : 3/8" C.R. STEEL |
| 3 | HOPPER IMPACT PLATE 1/4", HOPPER SIDES & FRONT TO BE FABRICATED OF 11 GA. COLD ROLLED STEEL. |
| 4 | REPLACEABLE, LOW FRICTION, NOISE REDUCING WEAR PADS. |
| 5 | ELECTRICAL CONTROLS; AUTOMATIC PHOTO EYE WITH TIMER DELAY, ON / OFF SELECTOR SWITCH, FULL INDICATOR LAMP. |
| 6 | 10 GALLON HYDRAULIC OIL TANK
2) 3" DIA. CYLINDER
1750 P.S.I. NORMAL PRESSURE
2400 P.S.I. MAX PRESSURE
4 G.P.M. PUMP
5 H.P. ELECTRIC MOTOR
208V, 3-PHASE, STANDARD |
| 7 | ACCESS DOOR WITH SAFETY INTERLOCK SWITCH (VERIFY HANDING BELOW) |
| 8 | AUTOMATIC SHUT DOWN WHEN CONTAINER IS FULL |
| 9 | DISCONNECT BOX TO BE LOCATED WITHIN 5' OF CHUTE DISCHARGE. 3-PHASE (3-HOT-WIRES) + NETURAL AND GROUND FOR A TOTAL OF 5-WIRES. REQUIRE 30 AMP BREAKER WITH DEDICATED CIRCUIT (ALL PROVIDED BY OTHERS). |
| 10 | DUAL SIDE RATCHET BINDERS |

- ONE-SIDED RATCHET BINDER - OPTIONAL ADD**
- LEFT
- RIGHT
- PLEASE VERIFY ACCESS DOOR LOCATION FROM TOP VIEW DETAIL DRAWING:**
- LEFT
- RIGHT
- PLEASE VERIFY ELECTRICAL SERVICE BEING PROVIDED BY OTHERS. (DURAPAK COMES STANDARD WITH 208V-3-PHASE) OPTIONS:**
- 208V, 3-PHASE
- 120V, SINGLE PHASE **OPTIONAL ADD (1 H.P. MOTOR)**
- 480V, 3-PHASE **OPTIONAL ADD**

DURAPAK 130-HD SHORT BODY COMPACTOR

1ST SUBMITTAL		
RESUBMITTAL		
APPROVED FOR FAB.		
Job Name:		
Customer:		
City:		
State:		
Item:	DURAPAK 130-HD SHORT BODY COMPACTOR	
PO No.		JOB No.

CHUTES
INTERNATIONAL
MANUFACTURING

Phone: (301) 753-4100
Toll Free: 800-88-CHUTE
Fax: (301) 753-4109
4400 Austin Lane
White Plains, MD 20695
WWW.CHUTES.COM