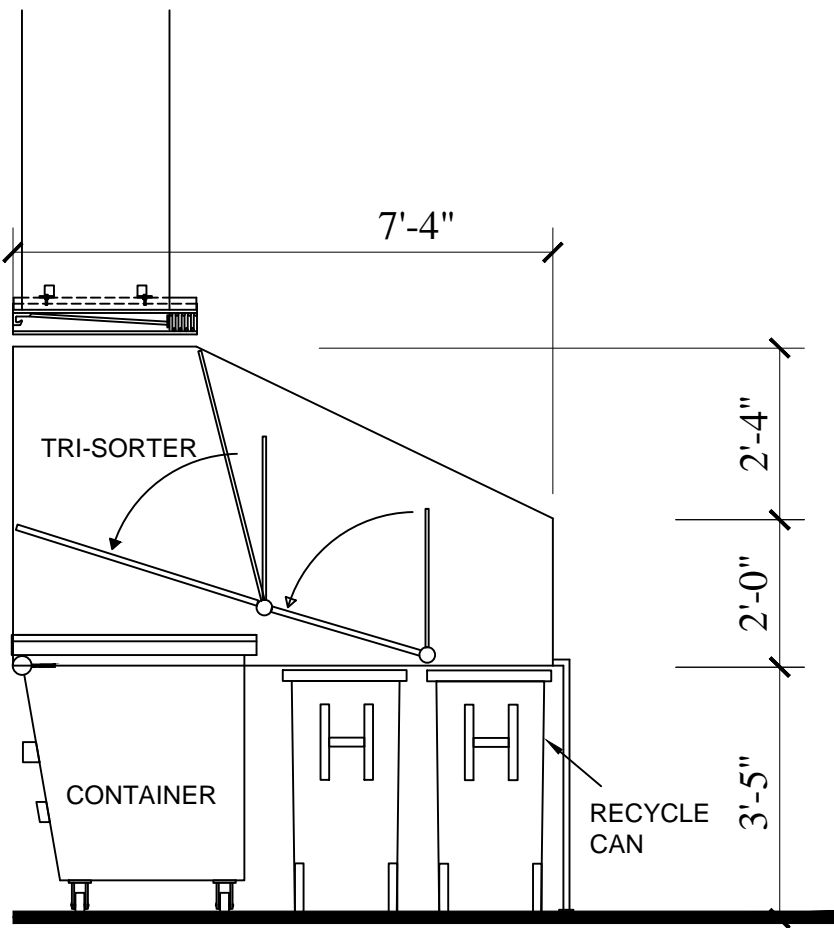
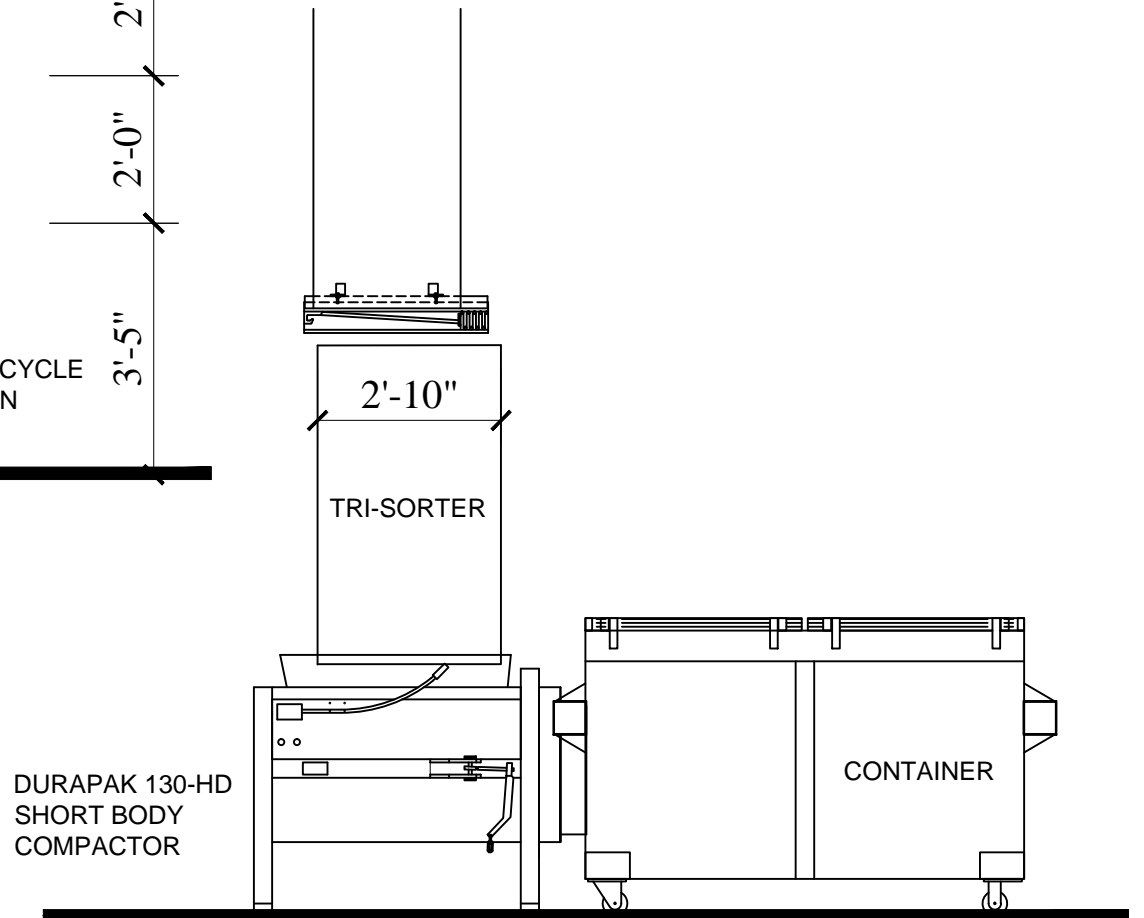


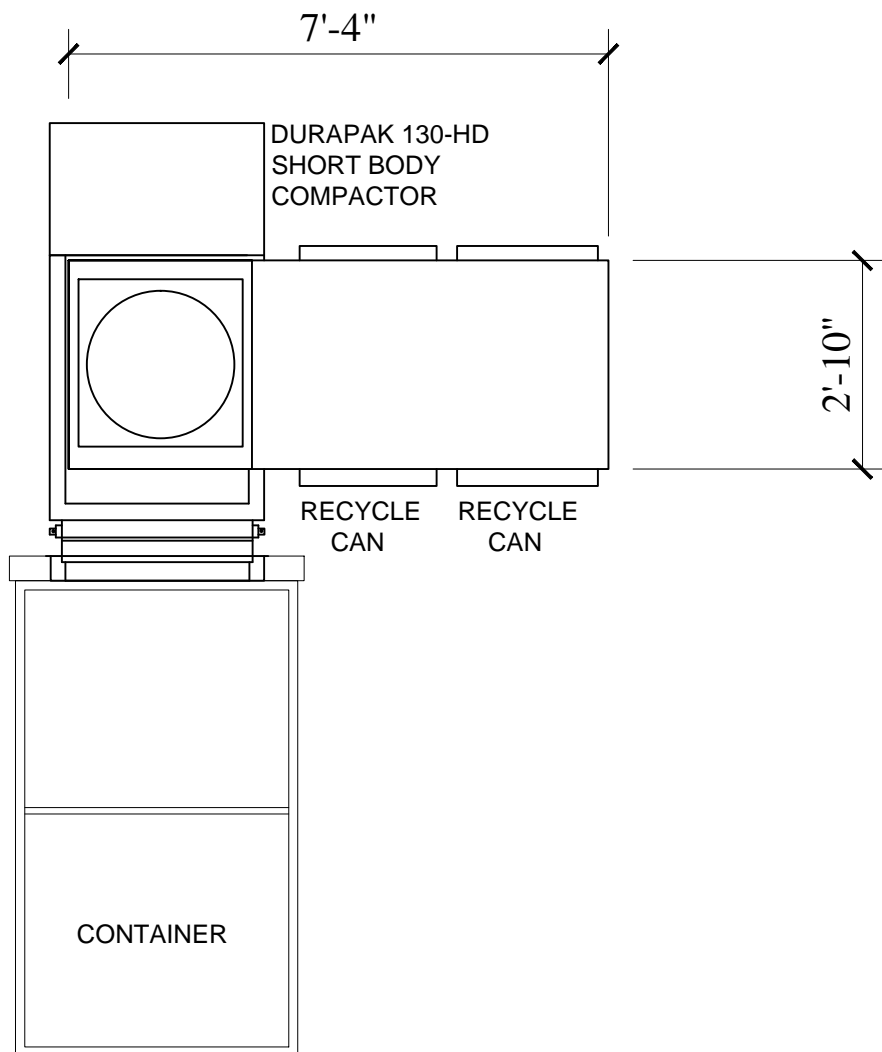
THESE DRAWINGS AND SPECIFICATIONS ARE THE PROPERTY OF
 CHUTES INTERNATIONAL
 AND SHALL NOT BE REPRODUCED OR COPIED OR USED AS THE
 BASIS FOR THE MANUFACTURE OR SALE OF APPARATUS
 WITHOUT PERMISSION.
 DO NOT DUPLICATE



FRONT VIEW



SIDE VIEW



TOP VIEW

TRI-SORTER

1ST SUBMITTAL		
RESUBMITTAL		
APPROVED FOR FAB.		

Job Name:	
Customer:	
City:	
State:	
Item:	TRI-SORTER
PO No.	
JOB No.	

CHUTES
 INTERNATIONAL
 MANUFACTURING

Phone: (301) 753-4100
 Toll Free: 800-88-CHUTE
 Fax: (301) 753-4109
 4400 Austin Lane
 White Plains, MD 20695
 WWW.CHUTES.COM