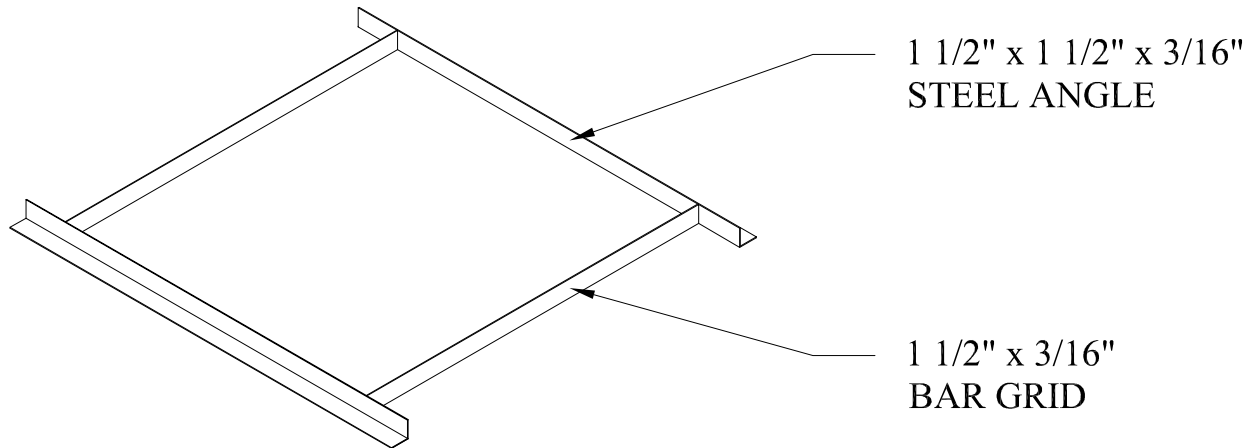


TYPICAL FLOOR FRAME

PROPERTY OF CHUTES INTERNATIONAL



TYPICAL FLOOR FRAMES
ISOMETRIC VIEW

NOTE:

THIS DRAWING IS THE PROPERTY OF CHUTES International Manufacturing AND IS LOANED ON THE CONDITION THAT IT IS NOT TO BE REPRODUCED AND IS NOT TO BE USED IN WHOLE OR PART TO FURNISH INFORMATION FOR THE MAKING OF DRAWINGS OR FLOOR FRAMES.

DATE: 01/31/07

REV:

CHUTES
INTERNATIONAL
MANUFACTURING

Phone: (301) 753-4100
Toll Free: 800-88-CHUTE
Fax: (301) 753-4109
4400 Austin Lane
White Plains, MD 20695
WWW.CHUTES.COM