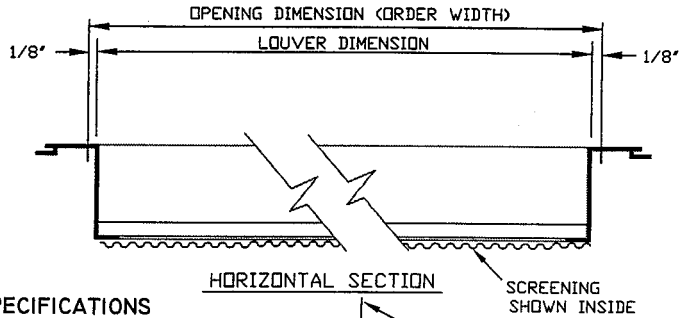
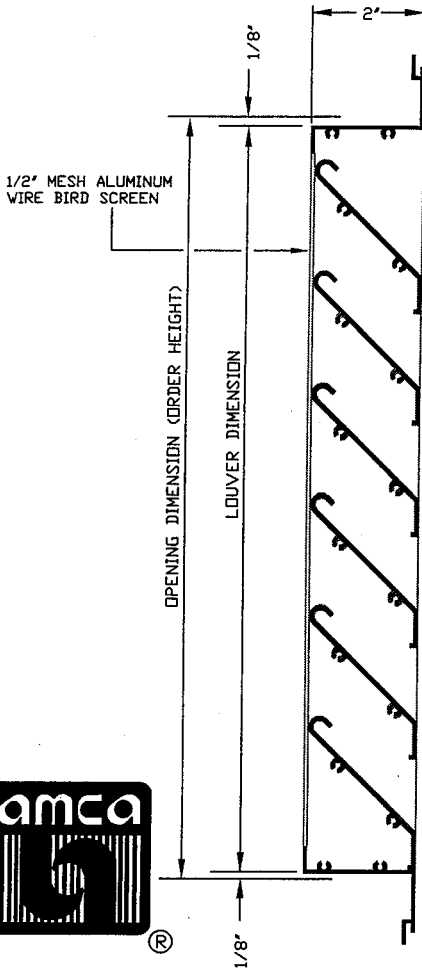


EXTRUDED ALUMINUM LOUVER

Model 2-SRF

STORM RESISTANT
FLANGED FRAME LOUVER



SPECIFICATIONS

FRAME

.062 THICK EXTRUDED ALUMINUM
6063-T5 MILL FINISH

BLADE

.062 THICK EXTRUDED ALUMINUM
6063-T5 MILL FINISH

BLADE SPACING

2-1/2" CENTERS EXCEPT AT HEAD
AND SILLS
CORROSION RESISTANT STEEL
FASTENERS USED AT ASSEMBLY

MINIMUM HEIGHT

4'

MAXIMUM SINGLE SECTION

72"W x 72"H

SCREEN

BIRD SCREEN 1/2" X 1/2" ALUMINUM

FLANGE

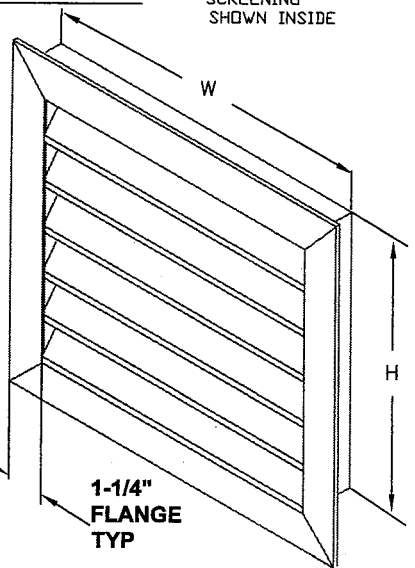
1-1/4"

OPTIONAL SCREEN:

INSECT SCREEN 18 X 16 MESH
ALUMINUM

OPTIONAL FINISHES:

CLEAR ANODIZE
ANODIZE COLORS
PAINT
"KYNAR"



PLEASE SPECIFY

SCREEN INSIDE OUTSIDE

FINISH _____

MISC. _____



LOUVERS WILL BE SUPPLIED AS ORDER WIDTH -1/4" X ORDER HEIGHT -1/4" UNLESS SPECIFIED 'ACTUAL SIZE'

MARK	QUAN.	WIDTH	HEIGHT	JOB NAME:

				LOCATION: _____
				ARCHITECT: _____
				ENGINEER: _____
				CONTRACTOR: _____