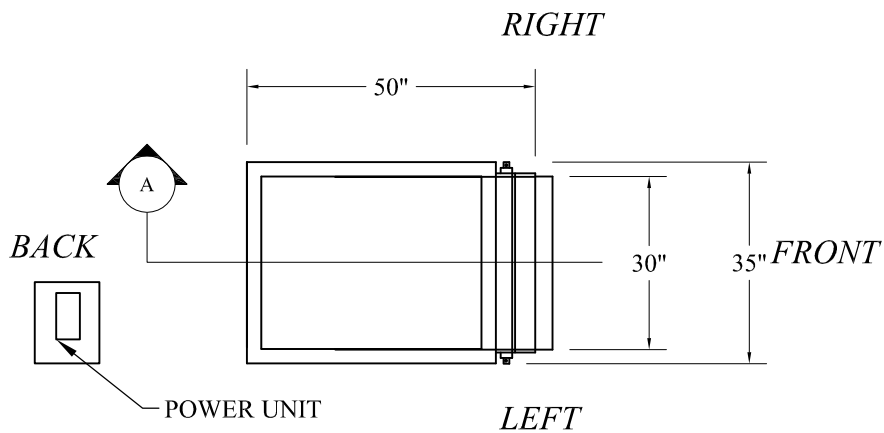
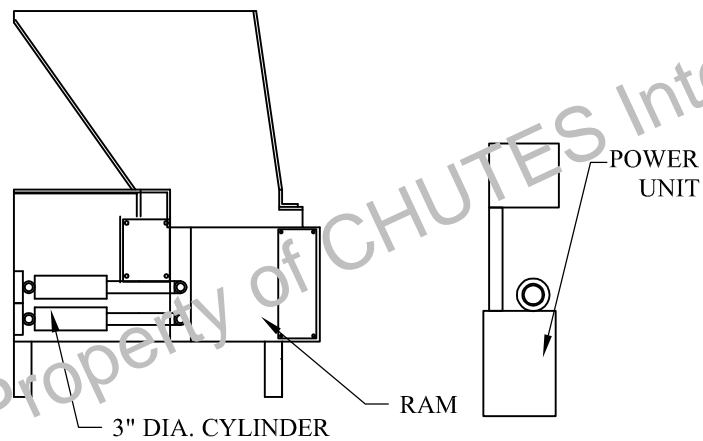


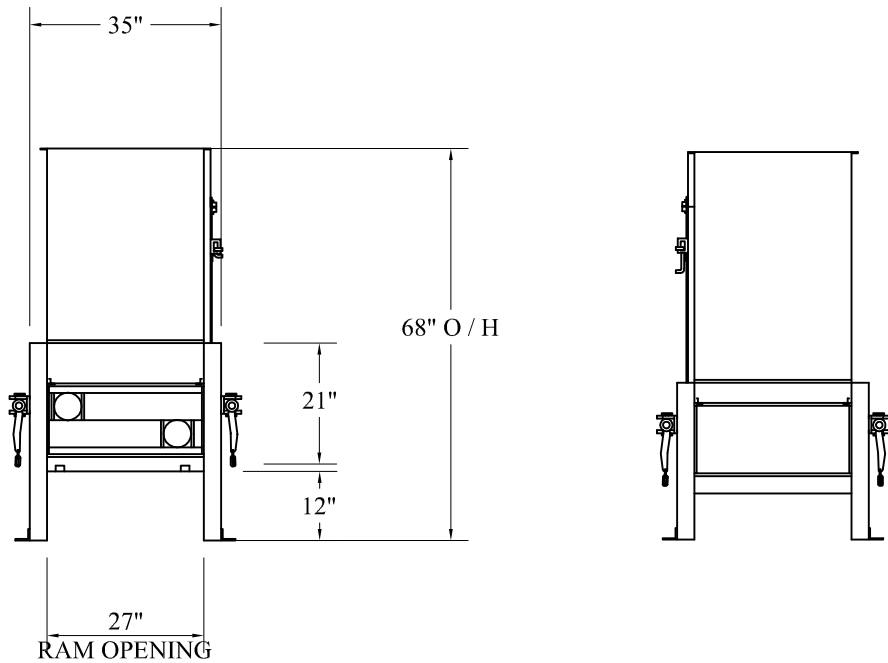
LEFT VIEW



TOP VIEW

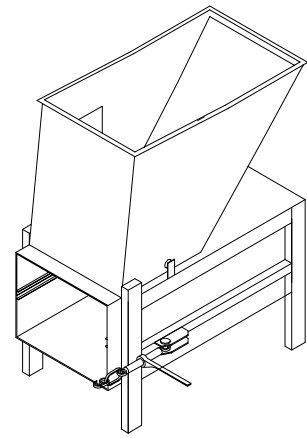


SECTION 'A'



REAR VIEW

FRONT VIEW



NOTE:

THIS DRAWING IS THE PROPERTY OF CHUTES INTERNATIONAL MANUFACTURING AND IS LOANED ON THE CONDITION THAT IT IS NOT TO BE REPRODUCED AND IS NOT TO BE USED IN WHOLE OR PART TO FURNISH INFORMATION FOR THE MAKING OF DRAWINGS OR COMPACTOR.

1	WEIGHT : 1500 LBS CYCLE TIME : 45 SECONDS APPROX.
2	<b>STRUCTURE</b> SIDE STRUCTURE : 1/4" C.R. STEEL BOTTOM OF COMPACTOR : 1/4" + 1/4" WEAR PLATE BOTTOM / FRONT OF RAM : 3/8" C.R. STEEL
3	HOPPER IMPACT PLATE 1/4", HOPPER SIDES & FRONT TO BE FABRICATED OF 11 GA. COLD ROLLED STEEL.
4	REPLACEABLE, LOW FRICTION, NOISE REDUCING WEAR PADS.
5	ELECTRICAL CONTROLS: AUTOMATIC PHOTO EYE, ON / OFF SELECTOR SWITCH, FULL INDICATOR LAMP.
6	14 GALLON HYDRAULIC OIL TANK 2) 3" DIA. CYLINDER 1750 P.S.I. NORMAL PRESSURE 2400 P.S.I. MAX PRESSURE 4 G.P.M. PUMP 5 H.P. ELECTRIC MOTOR 208V 3-PHASE, STANDARD
7	ACCESS DOOR WITH SAFETY INTERLOCK SWITCH
8	AUTOMATIC SHUT DOWN WHEN CONTAINER IS FULL
9	DISCONNECT BOX TO BE LOCATED WITHIN 5' OF CHUTE DISCHARGE. 3-PHASE (3-HOT-WIRES) + NETURAL AND GROUND FOR A TOTAL OF 5-WIRES. REQUIRE 30 AMP BREAKER WITH DEDICATED CIRCUIT (ALL PROVIDED BY OTHERS).
10	DUAL SIDE RATCHET BINDERS

**PLEASE VERIFY ACCESS DOOR LOCATION FROM TOP VIEW DETAIL DRAWING:**

- LEFT
- RIGHT

**PLEASE VERIFY ELECTRICAL SERVICE BEING PROVIDED BY OTHERS. (DURA PAK COMES STANDARD WITH 208V-3-PHASE) OPTIONS:**

- 208V, 3 PHASE
- 120 V, 3 PHASE **OPTIONAL ADD**
- 480V, 3 PHASE **OPTIONAL ADD**

1ST SUBMITTAL		
RESUBMITTAL		
APPROVED FOR FAB.		

Job Name: \_\_\_\_\_  
 Customer: \_\_\_\_\_  
 City: \_\_\_\_\_  
 State: \_\_\_\_\_  
 Item: DURAPAK 130-HD SHORT BODY COMPACTOR  
 PO No. \_\_\_\_\_ JOB No. \_\_\_\_\_

**CHUTES**  
 INTERNATIONAL  
 MANUFACTURING  
 © 2012 CHUTES International

Phone: (301) 753-4100  
 Toll Free: 800-88-CHUTE  
 Fax: (301) 753-4109  
 4400 Austin Lane  
 White Plains, MD 20695  
 WWW.CHUTES.COM