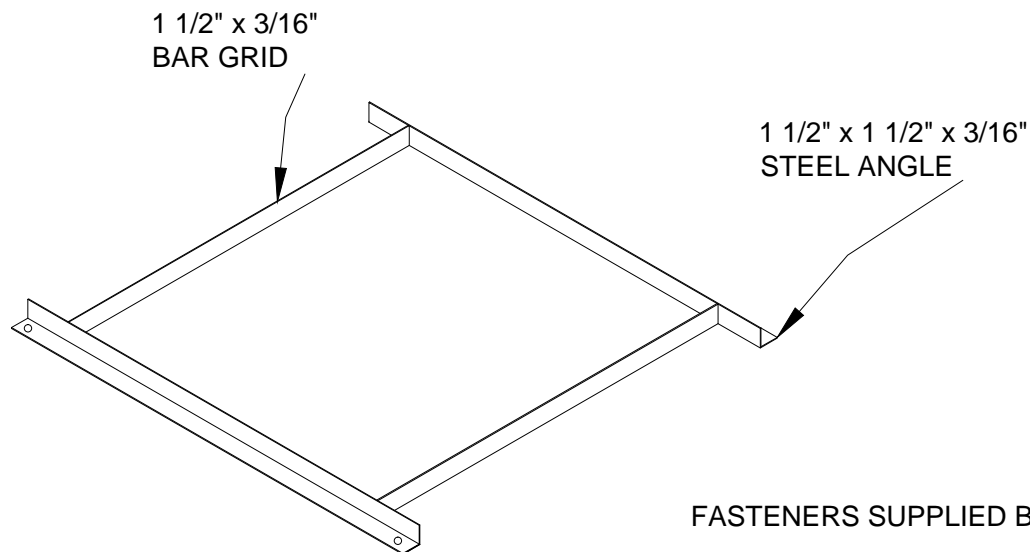
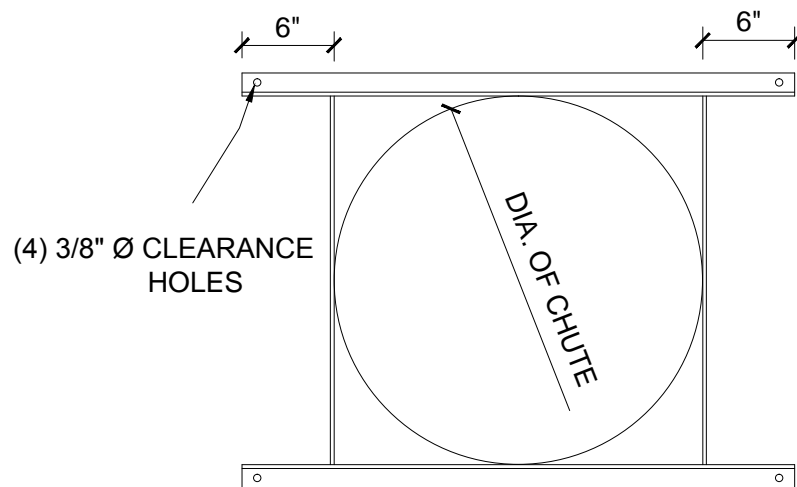


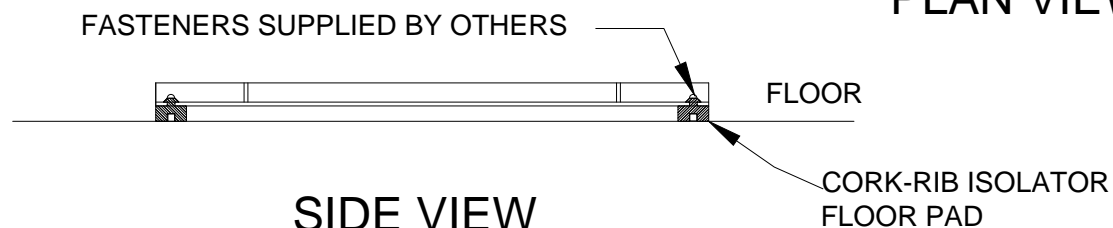
NOTES:  
 TYPICAL 24" & 28" FLOOR FRAMES ARE FABRICATED OF 1 1/2" x 1 1/2" x 3/16" STEEL ANGLE AND 1 1/2" x 3/16" BAR GRID. **\*\* (30"Ø & LARGER FLOOR FRAMES ARE UPGRADED TO 1 1/2" X 1 1/2" X 1/4" ANGLE.)**



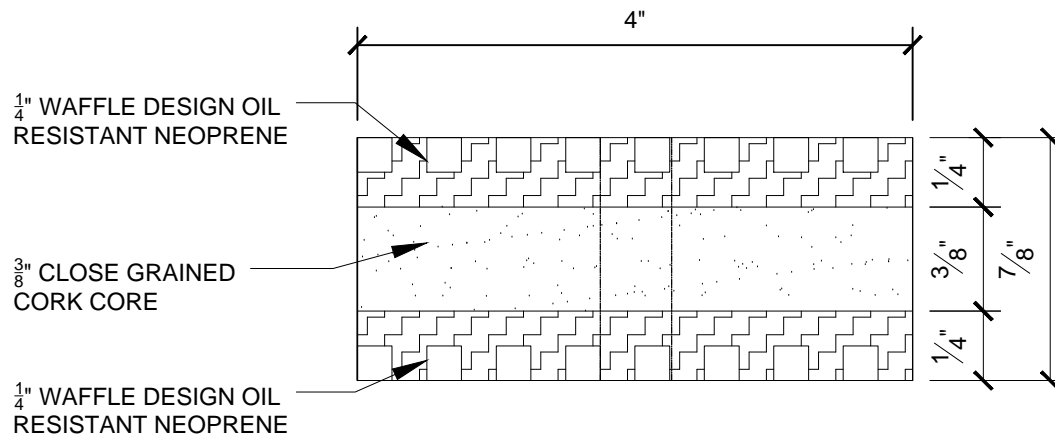
ISOMETRIC VIEW



PLAN VIEW



SIDE VIEW



CORK-RIB PAD  
 SIDE VIEW

THESE DRAWINGS AND SPECIFICATIONS ARE THE PROPERTY OF CHUTES INTERNATIONAL AND SHALL NOT BE REPRODUCED OR COPIED OR USED AS THE BASIS FOR THE MANUFACTURE OR SALE OF APPARATUS WITHOUT PERMISSION. **\*\*\*DO NOT DUPLICATE\*\*\***

TYPICAL FLOOR FRAME & ISOLATOR PADS	
DATE: 12/22/2013	Drawn By: KF
Revision: A	Approved By: HSS
<b>CHUTES</b> INTERNATIONAL MANUFACTURING	Phone: (301) 753-4100 Toll Free: 800-88-CHUTE Fax: (301) 753-4109 4400 Austin Lane White Plains, MD 20695 WWW.CHUTES.COM
	© 2014 CHUTES International