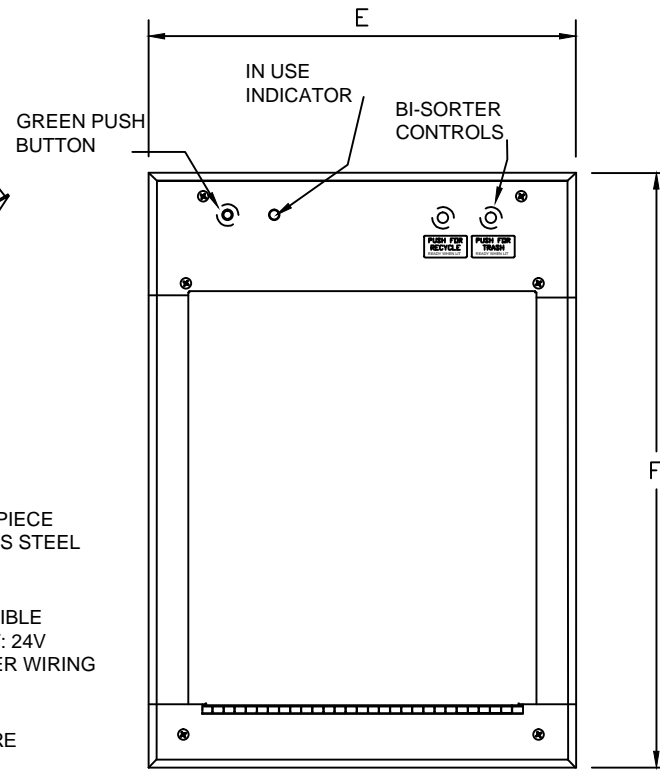
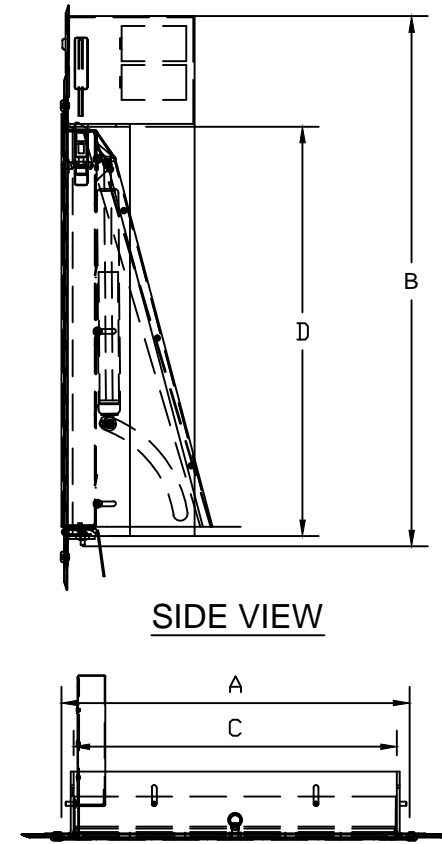


ISOMETRIC VIEW



FRONT VIEW



SIDE VIEW

TOP VIEW

BOTTOM HINGE PNEUMATIC INTERLOCK BI-SORTER ROUGH OPENING DOOR SIZES

DOOR SIZE	ROUGH OPENING		INSIDE FRAME		OUTSIDE DIMENSIONS	
	A	B	C	D	E	F
15" X 18"	15 5/8"	24 7/8"	15 1/16"	19"	21 1/16"	28 3/16"
18" X 18"	18 5/8"	24 7/8"	18 1/16"	19"	24 1/16"	28 3/16"
21" X 18"	21 5/8"	24 7/8"	21 1/16"	19"	27 1/16"	28 3/16"
24" X 24"	24 5/8"	30 7/8"	24 1/16"	25"	30 1/16"	34 3/16"

THESE DRAWINGS AND SPECIFICATIONS ARE THE PROPERTY OF CHUTES INTERNATIONAL AND SHALL NOT BE REPRODUCED OR COPIED OR USED AS THE BASIS FOR THE MANUFACTURE OR SALE OF APPARATUS WITHOUT PERMISSION. ***DO NOT DUPLICATE***

DATE: 06/18/2015

Drawn By: KF

Revision: -

Approved By: HSS

CHUTES
INTERNATIONAL
MANUFACTURING

Phone: (301) 753-4100
Toll Free: 800-88-CHUTE
Fax: (301) 753-4109
4400 Austin Lane
White Plains, MD 20695
WWW.CHUTES.COM

© 2015 CHUTES International