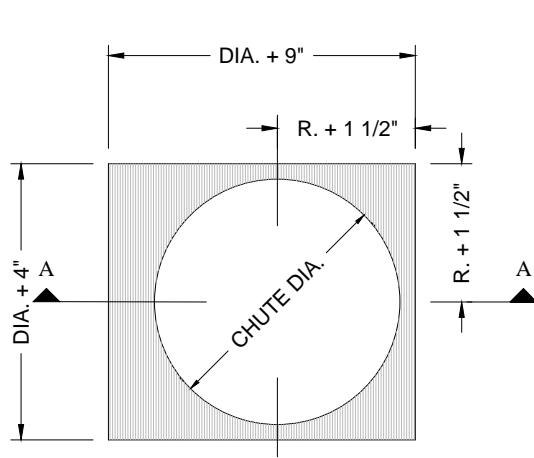
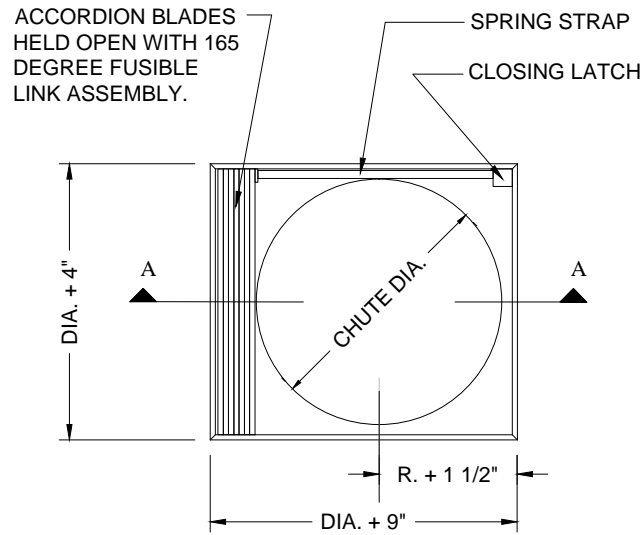


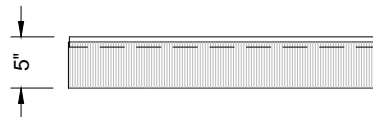
THESE DRAWINGS AND SPECIFICATIONS ARE THE PROPERTY OF CHUTES INTERNATIONAL AND SHALL NOT BE REPRODUCED OR COPIED OR USED AS THE BASIS FOR THE MANUFACTURE OR SALE OF APPARATUS WITHOUT PERMISSION.
 DO NOT DUPLICATE



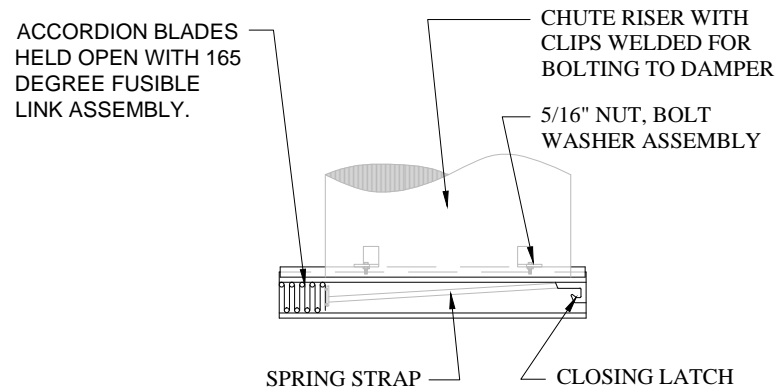
PLAN (ABOVE)



PLAN (INSIDE)



SIDE ELEVATION



SECTION A-A

NOTE:

The horizontal direct type accordion damper is most commonly used when discharging directly into a bin or compactor. The damper bears a 1 1/2 hr. UL label and is held open by a spring loaded fusible link assembly. This door is intended to provide smoke and fire protection to the chute riser and is not designed to perform as a chute shut off gate.

ACCORDION FIRE DAMPER DISCHARGE

DATE: 04/11/2013 Drawn By: HK

Revision: A Approved By: HSS

CHUTES
 INTERNATIONAL
 MANUFACTURING
 © 2014 CHUTES International

Phone: (301) 753-4100
 Toll Free: 800-88-CHUTE
 Fax: (301) 753-4109
 4400 Austin Lane
 White Plains, MD 20695
 WWW.CHUTES.COM