

THESE DRAWINGS AND SPECIFICATIONS ARE THE PROPERTY OF CHUTES INTERNATIONAL AND SHALL NOT BE REPRODUCED OR COPIED OR USED AS THE BASIS FOR THE MANUFACTURE OR SALE OF APPARATUS WITHOUT PERMISSION. \*\*\*DO NOT DUPLICATE\*\*\*

ROOF CAP TO ALLOW 10 PERCENT VENTING UNDER NORMAL USE WITH HOLD DOWN CLIPS AND HINGES FOR MANUAL RELEASE WITH 100 PERCENT VENTING IN CASE OF FIRE

BASE FLASHING IS 16 GA. SEALED WITH RUBBER CAULKING

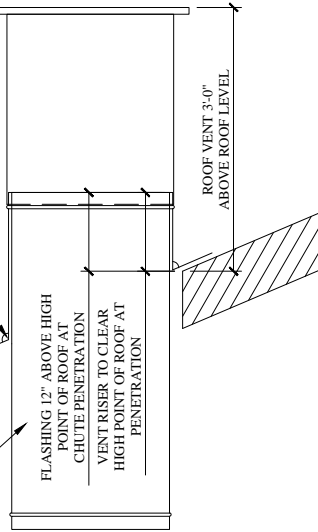
ROOF

FLASHING 12" ABOVE HIGH POINT OF ROOF AT CHUTE PENETRATION

VENT RISER TO SLIP INSIDE ROOF FLASHING TO ALLOW HEAT EXPANSION

VENT RISER TO CLEAR HIGH POINT OF ROOF AT PENETRATION

ROOF VENT 3'-0" ABOVE ROOF LEVEL



ROOF CAP TO ALLOW 10 PERCENT VENTING UNDER NORMAL USE WITH HOLD DOWN CLIPS AND HINGES FOR MANUAL RELEASE FOR 100 PERCENT VENTING IN CASE OF FIRE

BASE FLASHING IS 16 GA. SEALED WITH RUBBER CAULKING

2" TURN DOWN- SEE DETAIL "A"

ROOF

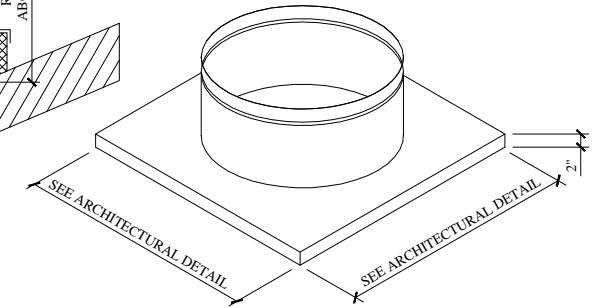
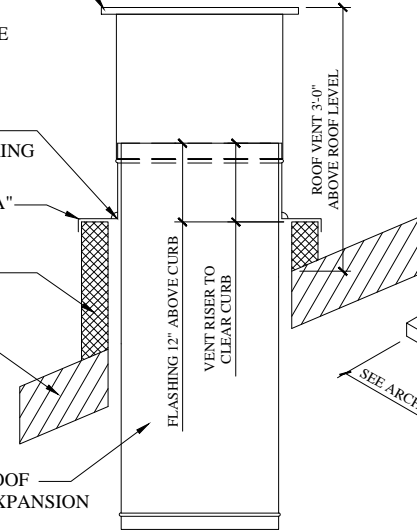
CURB BY OTHERS

FLASHING 12" ABOVE CURB

VENT RISER TO CLEAR CURB

VENT RISER TO SLIP INSIDE ROOF FLASHING TO ALLOW HEAT EXPANSION

ROOF VENT 3'-0" ABOVE ROOF LEVEL



**DETAIL "A"**

**PITCHED ROOF FLASHING WITHOUT CURB**

**PITCHED ROOF FLASHING WITH CURB**

ROOF CAP TO ALLOW 10 PERCENT VENTING UNDER NORMAL USE WITH HOLD DOWN CLIPS AND HINGES FOR MANUAL RELEASE WITH 100 PERCENT VENTING IN CASE OF FIRE

BASE FLASHING IS 16 GA. SEALED WITH RUBBER CAULKING

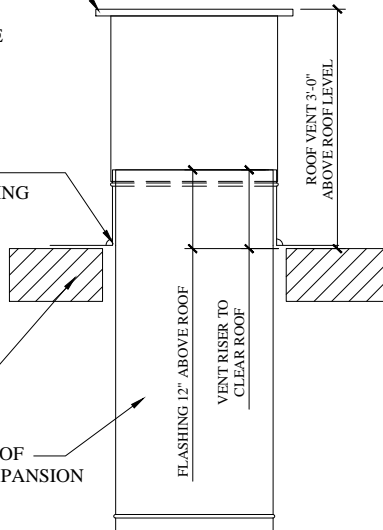
ROOF

FLASHING 12" ABOVE ROOF

VENT RISER TO CLEAR ROOF

VENT RISER TO SLIP INSIDE ROOF FLASHING TO ALLOW HEAT EXPANSION

ROOF VENT 3'-0" ABOVE ROOF LEVEL



ROOF CAP TO ALLOW 10 PERCENT VENTING UNDER NORMAL USE WITH HOLD DOWN CLIPS AND HINGES FOR MANUAL RELEASE WITH 100 PERCENT VENTING IN CASE OF FIRE

BASE FLASHING IS 16 GA. SEALED WITH RUBBER CAULKING

2" TURN DOWN- SEE DETAIL "A"

ROOF

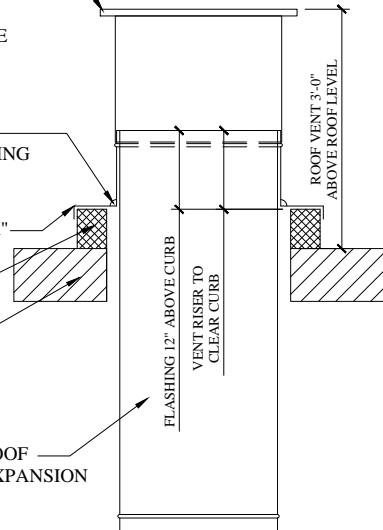
CURB BY OTHERS

FLASHING 12" ABOVE CURB

VENT RISER TO CLEAR CURB

VENT RISER TO SLIP INSIDE ROOF FLASHING TO ALLOW HEAT EXPANSION

ROOF VENT 3'-0" ABOVE ROOF LEVEL



**NOTES:**

1. CUSTOMER TO PROVIDE MEASUREMENTS FOR CURB & ROOF PITCH.
2. ROOF CAPS ALLOW VENTING UNDER NORMAL USE WITH HOLD DOWN CLIPS AND HINGES FOR MANUAL RELEASE FOR FULL VENTING IN CASE OF FIRE.
3. ROOF CAPS AND BASE FLASHING ARE 12GA. ALUMINUM SEALED WITH WEATHERPROOF CAULKING.
4. CURB AND ROOF CONSTRUCTED BY OTHERS.
5. VENT RISER SLIPS INSIDE FLASHING TO ALLOW FOR HEAT EXPANSION.

**TYPICAL ROOF VENTS AND FLASHING CONFIGURATIONS**

DATE: 12/19/2014 Drawn By: KF

Revision: A Approved By: HSS

**CHUTES**  
INTERNATIONAL  
MANUFACTURING

Phone: (301) 753-4100  
Toll Free: 800-88-CHUTE  
Fax: (301) 753-4109  
4400 Austin Lane  
White Plains, MD 20695  
WWW.CHUTES.COM

**FLAT ROOF FLASHING WITHOUT CURB**

**FLAT ROOF FLASHING WITH CURB**