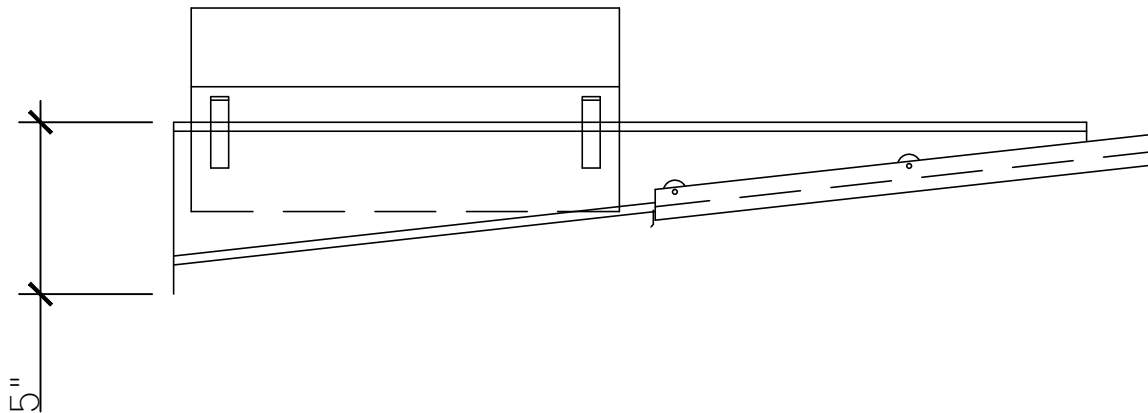


PLAN VIEW



NOTE:

WHEN HEAT RISES ABOVE 165° F
FUSIBLE LINK MELTS AND PANEL ROLLS
ACROSS CHUTE OPENING. THIS DOOR IS
NOT DESIGNED TO PERFORM AS A CHUTE
SHUT-OFF GATE.

THESE DRAWINGS AND SPECIFICATIONS ARE THE PROPERTY OF
CHUTES INTERNATIONAL
AND SHALL NOT BE REPRODUCED OR COPIED OR USED AS THE
BASIS FOR THE MANUFACTURE OR SALE OF APPARATUS
WITHOUT PERMISSION.
DO NOT DUPLICATE

**ROLLING INCLINE
DISCHARGE DOOR**

DATE: 06/5/2013	Drawn By: HK
Revision: A	Approved By: HSS

CHUTES
INTERNATIONAL
MANUFACTURING
© 2013 CHUTES International

Phone: (301) 753-4100
Toll Free: 800-88-CHUTE
Fax: (301) 753-4109
4400 Austin Lane
White Plains, MD 20695
WWW.CHUTES.COM