

## Tectyl® 3335 Black

### Description

TECTYL® 3335 Black is a zero VOC, air-dry, waterborne corrosion preventive coating for ferrous and non-ferrous metals. TECTYL® 3335 Black is formulated to provide excellent adhesion, hardness and durability to most substrates including primers, e-coat

and oily steel. TECTYL® 3335 is designed to resist chipping, scratches and gravel marks normally seen on truck and trailer underbodies. TECTYL® 3335 can be recoated with most urethane, acrylic or alkyd resin formulated automotive topcoats.

### Laboratory Data

Flash, PMCC\*, Minimum  
Density, Weight/Gallon @ 77°F (25°C)  
Recommended Dry Film Thickness over Metal Profile  
Dry Film Thickness Over Primed Steel  
Theoretical Coverage @ Recommended DFT  
Non-Volatile % by Weight  
Non-Volatile % by Volume  
Volatile Organic Content (VOC)  
Approximate Dry to Touch Time @ 77°F (25°C)  
Cure Time

Gravelometer, -20°C, SAE J-400,  
GM-998-4247, GM9508P

### Accelerated Corrosion Tests:

5% Salt Spray (Hours)  
ASTM\*\* B-117 @ 6 to 10 Recommended DFT:  
(2x4x1/8 in. CRS Panels)

100% Relative Humidity (Hours)  
ASTM D-1748 @ Recommended DFT:  
(2x4x1/8 in. CRS Panels)

\*PMCC (Penske Martin Closed Cup)  
\*\*ASTM (American Society for Testing and Materials)

### Typical Properties

212°F  
10.5 ± 0.1 lbs./gallon  
6 - 10 mils  
4 - 6 mils  
48-73 sq. ft./gallon  
55 ± 2  
45 ± 2  
0  
30 - 60 minutes  
72 hours

9A, Excellent Rating  
No Adhesion Loss

**Surface Preparation**

The maximum performance of TECTYL<sup>®</sup> 3335 Black can be achieved only when the metal surfaces to be protected are clean, dry, and free of rust, oil, and mill scale. Daubert Chemical Company recommends that the metal substrate temperature be 50 - 95°F (10 - 35°C) at the time of product application.

**Application**

TECTYL<sup>®</sup> 3335 Black is formulated to be used as supplied. Ensure uniform consistency prior to use. Continued stirring is generally not required. If the product thickens due to cold storage or loss of water and coalescing solvent during use, contact Daubert Chemical Company. DO NOT THIN TECTYL<sup>®</sup> 3335 Black. Incorrect thinning will affect film build, dry time and product performance. Daubert Chemical Company recommends that the ambient and product temperature be 50 - 95°F (10 - 35°C) at time of application. TECTYL<sup>®</sup> 3335 Black can be airless spray or dip applied. DO NOT FREEZE TECTYL<sup>®</sup> 3335 Black.

**Removal**

The dry film is not normally intended for removal. The product can be repainted after the film is cured. TECTYL<sup>®</sup> WBS-A, citrus or alkaline cleaner will remove fresh residue accumulated on application equipment. If removability is a factor, contact Daubert Chemical Company and samples should be evaluated prior to application.

**Storage**

Store TECTYL<sup>®</sup> 3335 Black at temperatures between 50 - 95°F (10 - 35°C). Mild agitation is recommended prior to use.

**Caution**

Adequate ventilation is required for cure and to ensure against formation of a combustible liquid atmosphere. THE PARTIALLY CURED FILM SHOULD NOT BE EXPOSED TO IGNITION SOURCES SUCH AS FLARES, FLAMES, SPARKS, EXCESSIVE HEAT, OR TORCHES. Refer to Daubert's Material Safety Data Sheet for additional handling and first aid information.

**Note:**

The addition of any product over or under this coating is not recommended. The use of additional coatings could result in chemical incompatibility, thus adversely affecting the performance of this coating as stated in the lab data section. If a product other than Daubert Chemical Company's recommended product is required, written authorization must be obtained from Daubert Chemical Company, Inc.

© 2013 Daubert Chemical Company, Inc. All Rights Reserved  
TECTYL<sup>®</sup> is a Registered Trademark of Daubert Chemical Company, Inc.

February 8, 2013 ver

**CAUTION:** The data, statements and recommendations set forth in this product information sheet are based on testing, research and other development work which has been carefully conducted by us, and we believe such data, statements and recommendations will serve as reliable guidelines. However, this product is subject to numerous uses under varying conditions over which we have no control, and accordingly, we do NOT warrant that this product is suitable for any particular use. Users are advised to test the product in advance to make certain it is suitable for their particular production conditions and particular use or uses.

**WARRANTY:** Daubert Chemical Company, Inc. ("Daubert") warrants all products manufactured by it to be free from defects in material and workmanship. DAUBERT MAKES NO OTHER WARRANTIES, WHETHER EXPRESSED OR IMPLIED WITH RESPECT TO SUCH PRODUCTS, AND ALL OTHER WARRANTIES, EXPRESSED OR IMPLIED, INCLUDING, BUT NOT LIMITED TO, THE IMPLIED WARRANTIES OF MERCHANTABILITY AND FITNESS FOR A PARTICULAR PURPOSE AND IMPLIED WARRANTIES ARISING FROM A COURSE OF DEALING OR USAGE OF TRADE, ARE DISCLAIMED BY DAUBERT. All claims hereunder must be made in writing within 30 days after receipt of the products at the buyer's plant and prior to further processing the products or combining them with other materials or products. Daubert's liability, whether under this warranty or in contract, tort, negligence or otherwise, is limited to the return of the net purchase price paid for any products proven defective or, at Daubert's option, to the repair or replacement of said products upon their return, transportation prepaid, to Daubert. THE REMEDY HEREBY PROVIDED SHALL BE THE EXCLUSIVE AND SOLE REMEDY OF THE BUYER, AND UNDER NO CIRCUMSTANCES SHALL DAUBERT BE LIABLE FOR CONSEQUENTIAL OR INCIDENTAL DAMAGES. No Daubert representative or other person is authorized to change this warranty in any way or to assume for Daubert any other liability in connection with the sale or use of its products.

REFER TO MATERIAL SAFETY DATA SHEET FOR HEALTH AND SAFETY INFORMATION.

**DAUBERT  
CHEMICAL COMPANY, INC.**

PAGE 2 OF 2

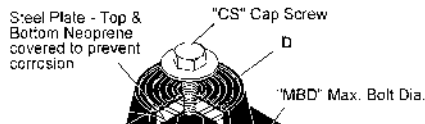
4700 South Central Avenue ■ Chicago, IL 60638 ■ 1-800-688-0459 ■ or 708-496-7350 ■ Fax: 708-496-7367

Visit our web site at [www.daubert.com](http://www.daubert.com) ■ Our e-mail is [dauchem@daubert.com](mailto:dauchem@daubert.com)



**MASON INDUSTRIES, Inc.**  
Manufacturers of Vibration Control Products  
360 Habro Drive 2101 W. Crescent Ave., Suite D  
Hauppauge, NY 11788 Anaheim, CA 92801  
631/348-0282 714/535-2727  
FAX 631/348-0279 FAX 714/535-5738  
Info@Mason-Ind.com Info@MasonAnaheim.com  
www.Mason-Ind.com

JOB NAME _____	<b>ND</b> Double Deflection Neoprene Mounts
CUSTOMER _____	
CUSTOMER P.O. _____	
MASON M.I. _____	
DWG. NO. _____	



**TYPE ND RATINGS**

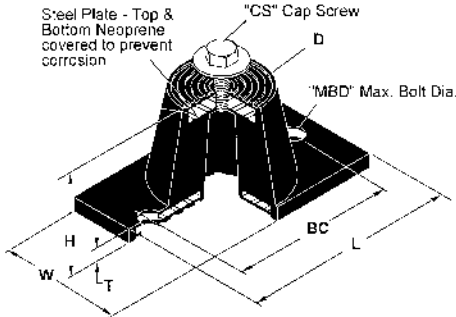
Size (Color Mark)	Duro- meter	Rated Capacity Range		Max. Rated Deflection	
		(lbs)	(kg)	(in)	(mm)
ND-A-Black	30	15-45	7-20	0.35	9
ND-A-Green	40	30-75	13-34		
ND-A-Red	50	60-125	27-57		



**MASON INDUSTRIES, Inc.**  
 Manufacturers of Vibration Control Products  
 350 Rabro Drive 2101 W. Crescent Ave., Suite D  
 Hauppauge, NY 11788 Anaheim, CA 92801  
 631/348-0282 714/535-2727  
 FAX 631/348-0279 FAX 714/535-5738  
 Info@Mason-Ind.com Info@MasonAnaheim.com  
 www.Mason-Ind.com

JOB NAME \_\_\_\_\_  
 CUSTOMER \_\_\_\_\_  
 CUSTOMER P.O. \_\_\_\_\_  
 MASON M.I. \_\_\_\_\_  
 DWG. NO. \_\_\_\_\_

**ND**  
 Double  
 Deflection  
 Neoprene  
 Mounts



**TYPE ND RATINGS**

Size (Color Mark)	Duro- meter	Rated Capacity Range		Max. Rated Deflection	
		(lbs)	(kg)	(in)	(mm)
ND-A-Black	30	15-45	7-20	0.35	9
ND-A-Green	40	30-75	13-34		
ND-A-Red	50	60-125	27-57		
ND-B-Black	30	50-100	23-45	0.40	10
ND-B-Green	40	75-150	34-68		
ND-B-Red	50	110-235	50-107		
ND-B-White	60	180-380	82-172	0.50	13
ND-B-Yellow	70	300-600	136-272		
ND-C-Green	40	140-260	64-118		
ND-C-Red	50	200-400	91-181	0.50	13
ND-C-White	60	310-600	141-272		
ND-C-Yellow	70	520-1000	236-454		
ND-D-Yellow	70	1060-2100	481-953	0.50	13
ND-DS-Yellow	70	2150-4300	998-1950		

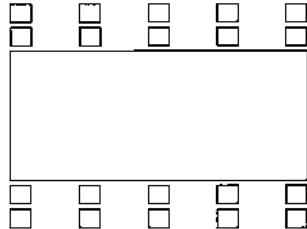
Mounts have straight line deflection curves.

**TYPE ND DIMENSIONS**

Size	D		H		L		T		W		BC		CS		MBD	
	(in)	(mm)	(in)	(mm)	(in)	(mm)	(in)	(mm)	(in)	(mm)	(in)	(mm)	(in)	(mm)	(in)	(mm)
ND-A	1 3/16	30	1 1/2	38	3 3/16	81	3/16	5	1 5/8	41	2 3/8	60	5/16-18 x 3/4"	x 19	5/16	8
ND-B	1 3/4	44	1 7/8	48	3 7/8	98	1/4	6	2 5/16	59	3	76	3/8-16 x 1"	x 25	5/16	8
ND-C	2 9/16	65	2 3/4	70	5 1/2	140	1/4	6	3 5/16	84	4 1/8	105	1/2-13 x 1"	x 25	1/2	13
ND-D	3 3/8	86	2 3/4	70	6 1/4	159	5/16	8	4	102	5	127	1/2-13 x 1"	x 25	1/2	13
ND-DS	3 3/8	86	2 3/4	70	6 3/4	171	5/16	8	4 3/8	111	5 1/2	140	1/2-13 x 1"	x 25	1/2	13

**PLAN VIEW OF MOUNT LOCATION**

TAG : \_\_\_\_\_  
 UNIT : \_\_\_\_\_



**SPECIFIED DEFLECTION**

1	:	6	:
2	:	7	:
3	:	8	:
4	:	9	:
5	:	10	:
Sets Required:			

Certification Form S-401 10/2010 DWN: \_\_\_\_\_ CHKD: \_\_\_\_\_ DATE: \_\_\_\_\_ DWG. No. \_\_\_\_\_