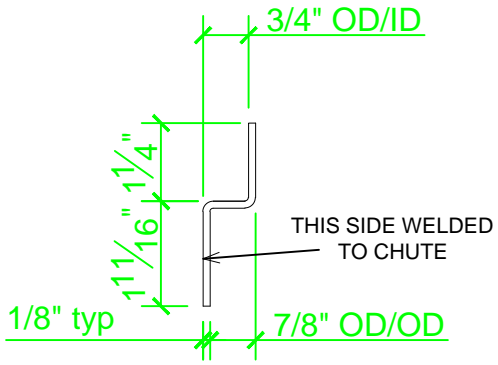
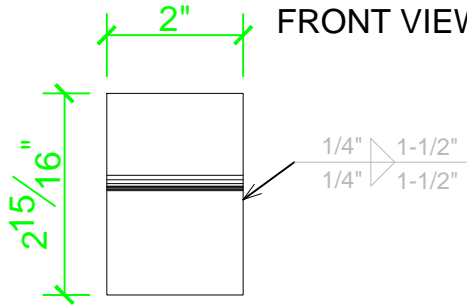


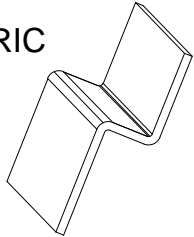
SIDE VIEW



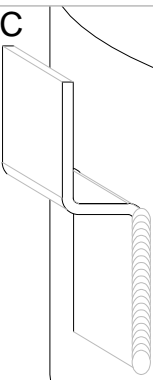
FRONT VIEW



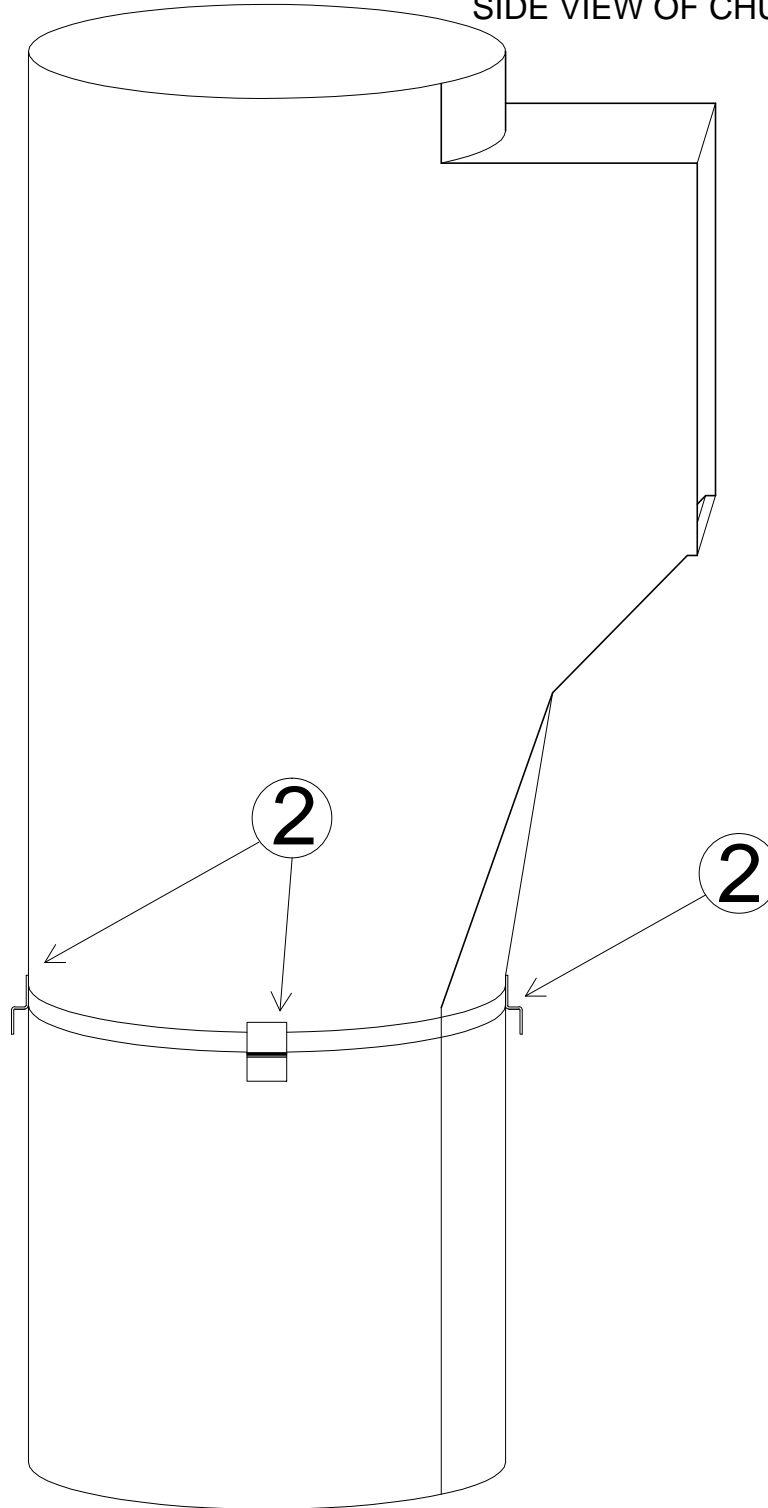
ISOMETRIC VIEW



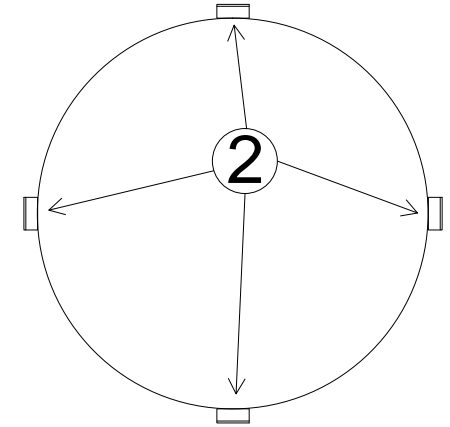
ISOMETRIC VIEW #2 (WELD)



SIDE VIEW OF CHUTE



BOTTOM VIEW OF CHUTE



NOTES:

1. CLIPS TO BE MADE OF 12 GA. ALUMINIZED STEEL.
2. CLIPS TO BE WELDED (AWS-D1.1 STRUCTURAL INDUSTRY STANDARD) AT QUARTERS OF CHUTE AS A MEANS OF SUPPORT.

THESE DRAWINGS AND SPECIFICATIONS ARE THE PROPERTY OF CHUTES INTERNATIONAL AND SHALL NOT BE REPRODUCED OR COPIED OR USED AS THE BASIS FOR THE MANUFACTURE OR SALE OF APPARATUS WITHOUT PERMISSION. ***DO NOT DUPLICATE***

FLOOR "Z" STYLE CLIP

DATE: 10/31/2013	Drawn By: KF
Revision: A	Approved By: HSS

CHUTES INTERNATIONAL MANUFACTURING <small>© 2013 CHUTES International</small>	Phone: (301) 753-4100 Toll Free: 800-88-CHUTE Fax: (301) 753-4109 4400 Austin Lane White Plains, MD 20695 WWW.CHUTES.COM
---	---