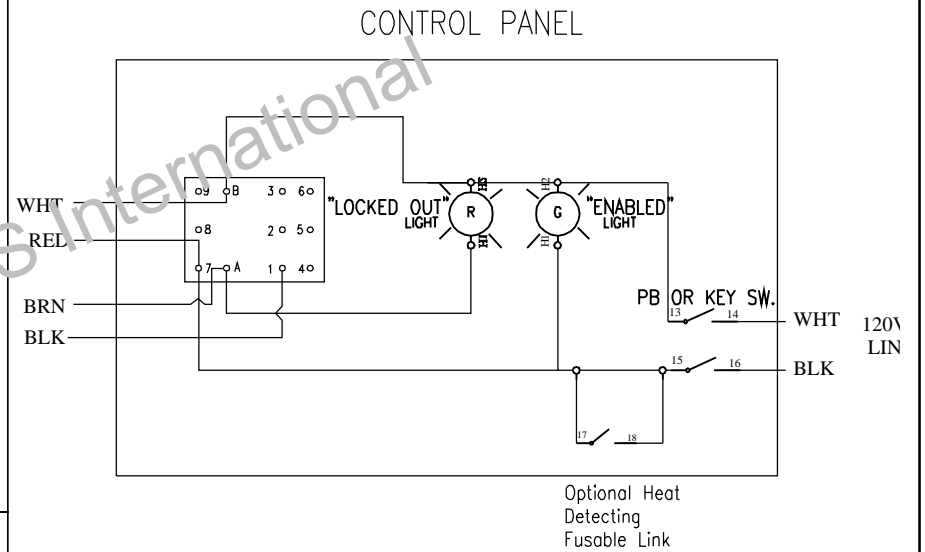
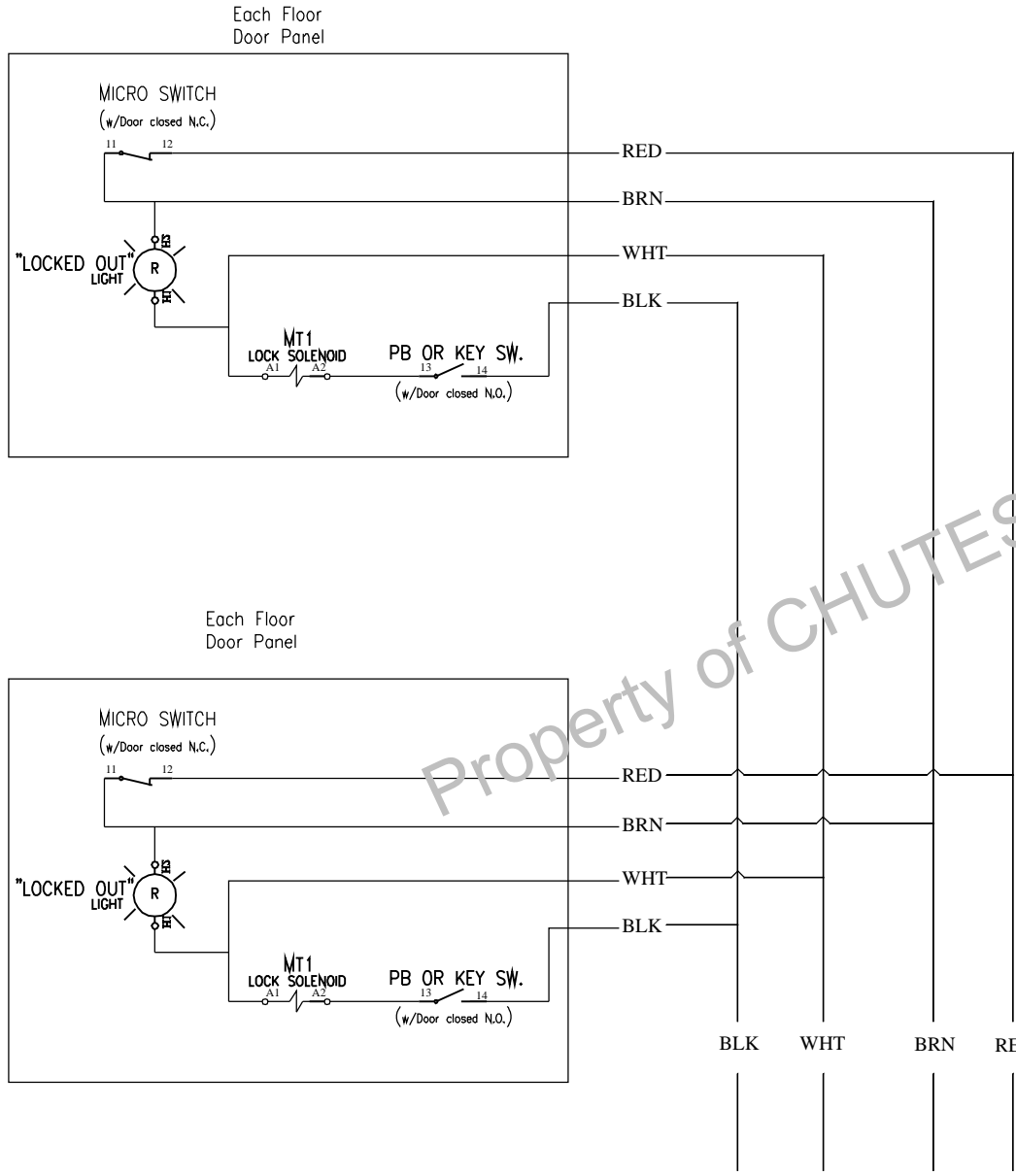


THESE DRAWINGS AND SPECIFICATIONS ARE THE PROPERTY OF  
**CHUTES INTERNATIONAL**  
 AND SHALL NOT BE REPRODUCED OR COPIED OR USED AS THE  
 BASIS FOR THE MANUFACTURE OR SALE OF APPARATUS  
 WITHOUT PERMISSION



<b>Door Panel and Control Panel</b>	
<b>INTERLOCK SCHEMATIC</b>	
DATE:	02/18/08
<b>CHUTES</b> INTERNATIONAL MANUFACTURING	Phone: (301) 753-4100 4400 Austin Lane White Plains, MD 20695 WWW.CHUTES.COM