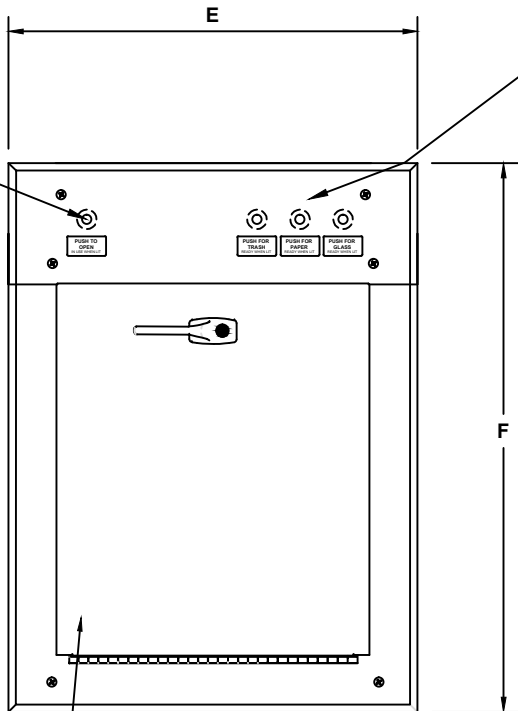


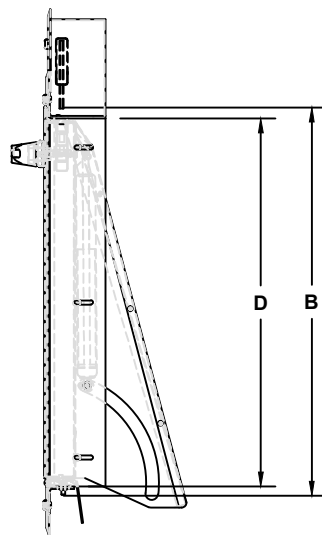
TRI-SORTER FACEPLATE OPTIONS
(BUTTONS VARY BASED ON CONFIGURATION)
PUSH BUTTON FOR TRASH, PAPER, OR GLASS

RED PUSH BUTTON INDICATOR

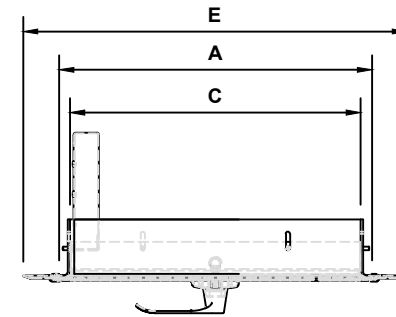


FRONT VIEW

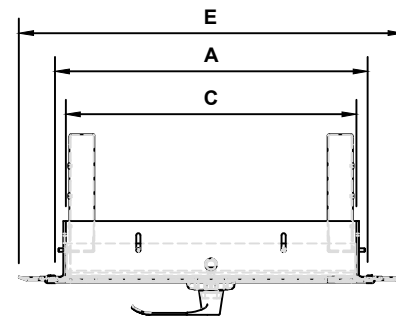
1-1/2 HR U.L. LISTED
DOOR WITH 250°
MAXIMUM TEMPERATURE
RISE OVER 30 MINUTES



SIDE VIEW



TOP VIEW



*TOP VIEW FOR 24" X 24" DOOR

BOTTOM HINGE 24V TRI-SORTER INTERLOCK ROUGH OPENING DOOR SIZES

DOOR SIZE (NOMINAL)	ROUGH OPENING		INSIDE FRAME		OUTSIDE DIMENSIONS	
	A	B	C	D	E	F
15" X18"	15 5/8"	24 7/8"	15 1/16"	19"	21 1/16"	28 3/16"
18" X18"	18 5/8"	24 7/8"	18 1/16"	19"	24 1/16"	28 3/16"
21" X18"	21 5/8"	24 7/8"	21 1/16"	19"	27 1/16"	28 3/16"
24" X 24"	24 5/8"	30 7/8"	24 1/16"	25"	30 1/16"	34 3/16"

NOTES:

- * 24"X24" BOTTOM HINGE DOOR HAS TWO CLOSERS.
- ALL DOORS SUPPLIED WITH ADA COMPLIANT LOCKING LEVER HANDLE WITH TWO KEYS.

THESE DRAWINGS AND SPECIFICATIONS ARE THE PROPERTY OF CHUTES INTERNATIONAL AND SHALL NOT BE REPRODUCED OR COPIED OR USED AS THE BASIS FOR THE MANUFACTURE OR SALE OF APPARATUS WITHOUT PERMISSION. ***DO NOT DUPLICATE***

DATE: 04/22/2013	Drawn By: HSS
Revision: A	Approved By: HSS
	Phone: (301) 753-4100 Toll Free: 800-88-CHUTE Fax: (301) 753-4109 4400 Austin Lane White Plains, MD 20695 WWW.CHUTES.COM
	© 2014 CHUTES International