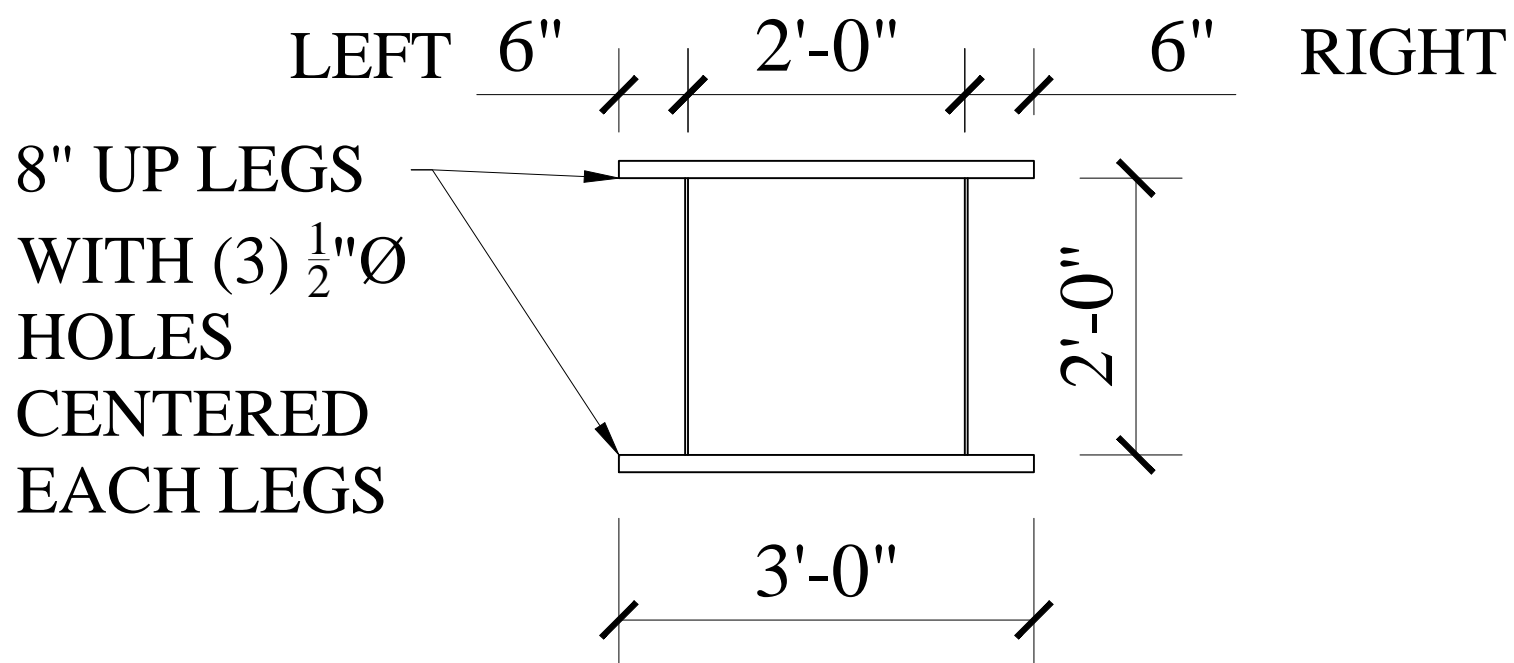
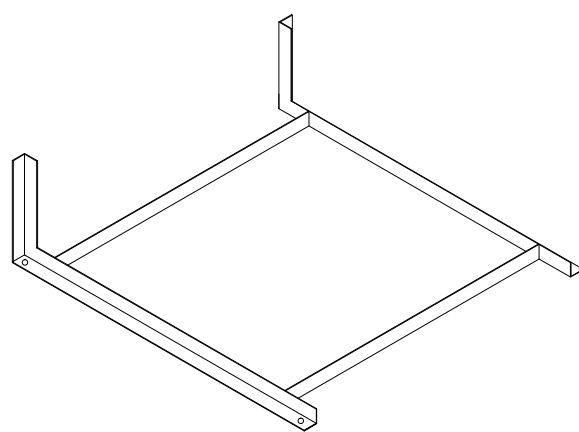


SIDE VIEW



PLAN VIEW



3D

UP LEG FLOOR FRAME

1ST SUBMITTAL		
RESUBMITTAL		
APPROVED FOR FAB.		
Job Name:		
Customer:		
City:		
State:		
Item:	UP LEG FLOOR FRAME	
PO No.		JOB No.
		
Phone: (301) 753-4100 Toll Free: 800-88-CHUTE Fax: (301) 753-4109 4400 Austin Lane White Plains, MD 20695 WWW.CHUTES.COM		