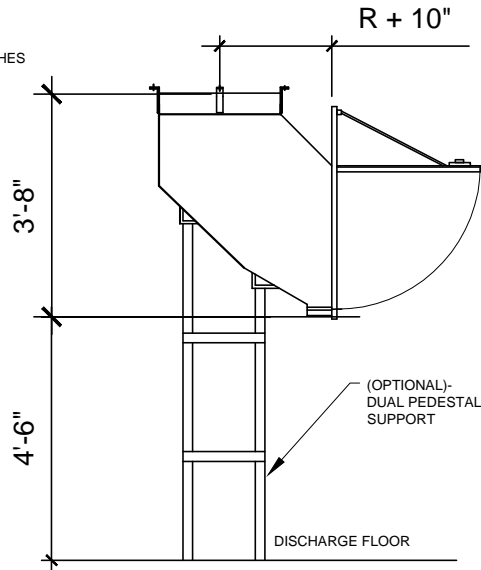


ISOMETRIC VIEW



SIDE VIEW  
OF OPTIONAL DUAL PEDESTAL SUPPORT

NOTE:  
THE DUAL PEDESTAL SUPPORT  
IS AN AVAILABLE ADD OPTION.  
SHOWN IN SIDE VIEW.

THESE DRAWINGS AND SPECIFICATIONS ARE THE PROPERTY OF  
CHUTES INTERNATIONAL  
AND SHALL NOT BE REPRODUCED OR COPIED OR USED AS THE  
BASIS FOR THE MANUFACTURE OR SALE OF APPARATUS  
WITHOUT PERMISSION.  
\*\*\*DO NOT DUPLICATE\*\*\*

CHUTE SIZE	DOOR SIZE	ROUGH OPENING		INSIDE FRAME	
		W	H	W	H
24" Ø	24" X30"	24 1/4"	30 1/4"	24"	30"
28" Ø	28" X36"	28 1/2"	36 1/2"	28"	36"
30" Ø	30" X36"	30 1/4"	36 1/4"	30"	36"
36" Ø	36" X48"	36 1/4"	48 1/4"	36"	48"

**TYPICAL HOPPER DISCHARGE**

DATE: 08/18/2014	Drawn By: HSS
Revision: B	Approved By: HSS
	Phone: (301) 753-4100 Toll Free: 800-88-CHUTE Fax: (301) 753-4109 4400 Austin Lane White Plains, MD 20695 WWW.CHUTES.COM
	© 2014 CHUTES International