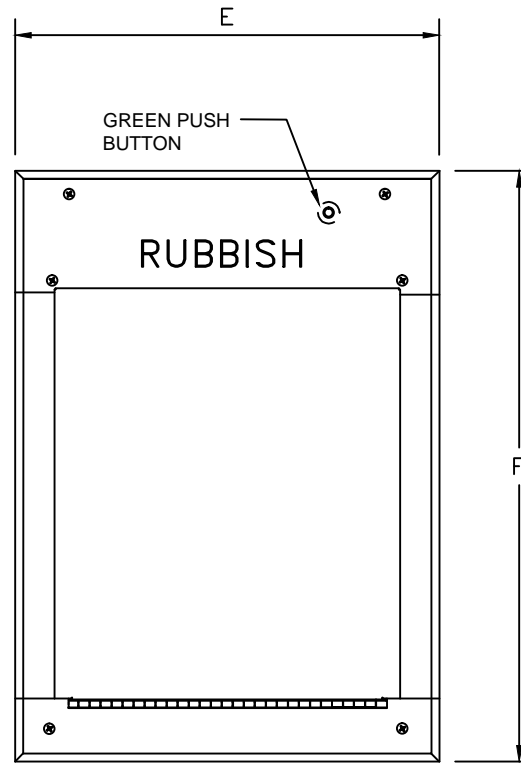
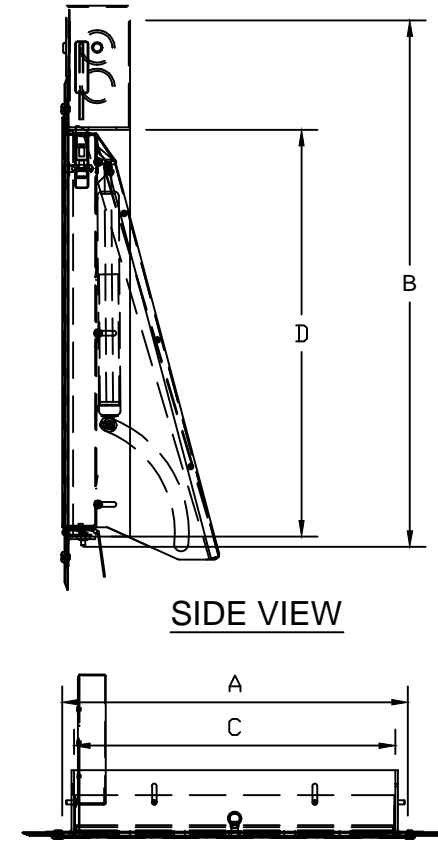


ISOMETRIC VIEW



FRONT VIEW



SIDE VIEW

TOP VIEW

# BOTTOM HINGE PNEUMATIC STANDARD ROUGH OPENING DOOR SIZES

DOOR SIZE	ROUGH OPENING		INSIDE FRAME		OUTSIDE DIMENSIONS	
	A	B	C	D	E	F
15" X 18"	15 5/8"	24 7/8"	15 1/16"	19"	21 1/16"	28 3/16"
18" X 18"	18 5/8"	24 7/8"	18 1/16"	19"	24 1/16"	28 3/16"
21" X 18"	21 5/8"	24 7/8"	21 1/16"	19"	27 1/16"	28 3/16"
24" X 24"	21 5/8"	30 7/8"	21 1/16"	25"	30 1/16"	34 3/16"

THESE DRAWINGS AND SPECIFICATIONS ARE THE PROPERTY OF CHUTES INTERNATIONAL AND SHALL NOT BE REPRODUCED OR COPIED OR USED AS THE BASIS FOR THE MANUFACTURE OR SALE OF APPARATUS WITHOUT PERMISSION. \*\*\*DO NOT DUPLICATE\*\*\*

DATE: 05/21/2013	Drawn By: HSS
Revision: A	Approved By: HSS
	Phone: (301) 753-4100 Toll Free: 800-88-CHUTE Fax: (301) 753-4109 4400 Austin Lane White Plains, MD 20695 WWW.CHUTES.COM
	© 2013 CHUTES International