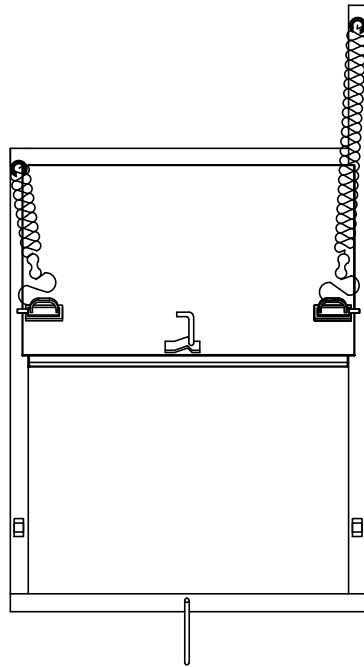
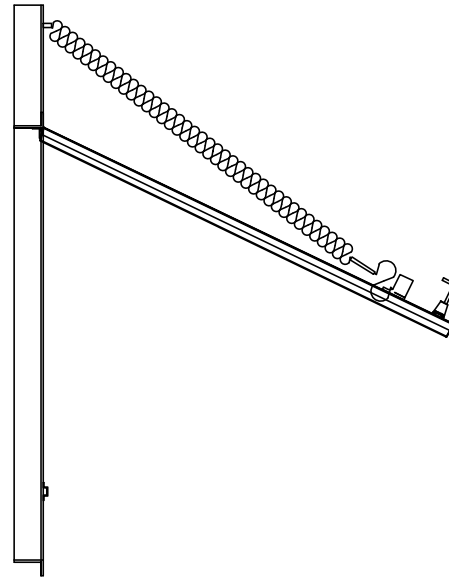



THESE DRAWINGS AND SPECIFICATIONS ARE THE PROPERTY OF
 CHUTES INTERNATIONAL
 AND SHALL NOT BE REPRODUCED OR COPIED OR USED AS THE
 BASIS FOR THE MANUFACTURE OR SALE OF APPARATUS
 WITHOUT PERMISSION.
 DO NOT DUPLICATE



FRONT VIEW



SIDE VIEW

CHUTE SIZE	DOOR SIZE	ROUGH OPENING		INSIDE FRAME		TYPICAL HOPPER DISCHARGE DOOR	
		W	H	W	H		
24" Ø	24" X30"	24 1/4"	30 1/4"	24"	30"	DATE: 09/25/2014	Drawn By: HSS
28" Ø	28" X36"	28 1/2"	36 1/2"	28"	36"	Revision: B	Approved By: HSS
30" Ø	30" X36"	30 1/4"	36 1/4"	30"	36"		Phone: (301) 753-4100 Toll Free: 800-88-CHUTE Fax: (301) 753-4109 4400 Austin Lane White Plains, MD 20695 WWW.CHUTES.COM
36" Ø	36" X48"	36 1/4"	48 1/4"	36"	48"		