

4

3

2

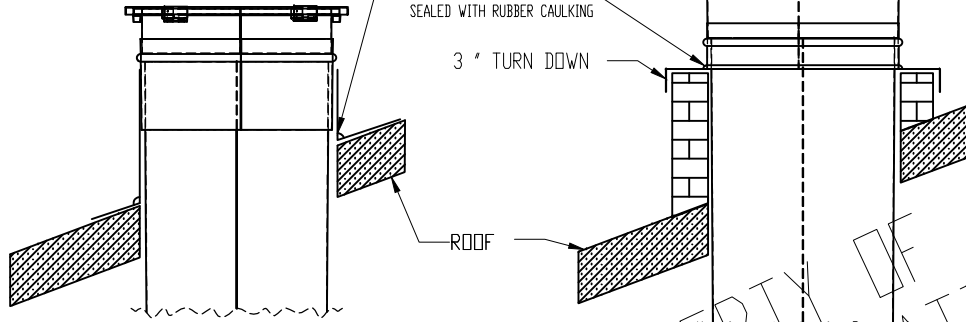
1

ROOF CAP TO ALLOW VENTING TO THE ATMOSPHERE AT FULL CROSS SECTIONAL AREA UNDER NORMAL USE, WITH HOLD DOWN CLIPS AND HINGES FOR MANUAL RELEASE FOR TOP ACCESS, IF NEEDED.

BASE FLASHING IS 0.080" (APPROX. 12 GA.) SEALED WITH RUBBER CAULKING

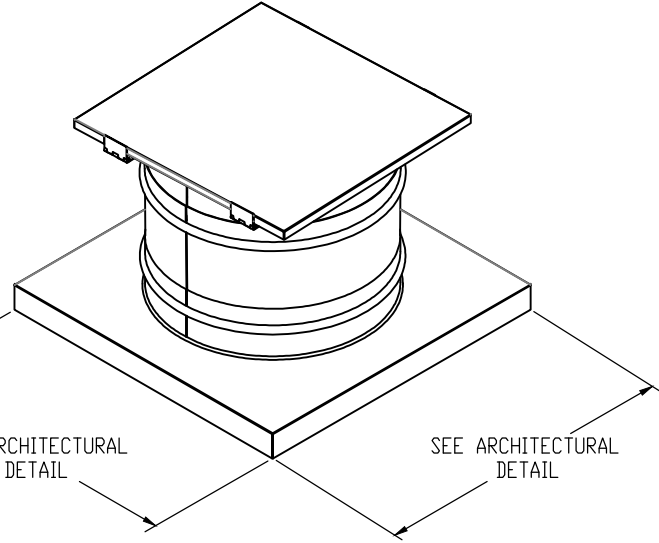
3" TURN DOWN

ROOF



PITCHED ROOF FLASHING WITHOUT CURB

PITCHED ROOF FLASHING WITH CURB



SEE ARCHITECTURAL DETAIL

SEE ARCHITECTURAL DETAIL

ROOF CAP TO ALLOW VENTING TO THE ATMOSPHERE AT FULL CROSS SECTIONAL AREA UNDER NORMAL USE, WITH HOLD DOWN CLIPS AND HINGES FOR MANUAL RELEASE FOR TOP ACCESS, IF NEEDED.

BASE FLASHING IS 0.080" (APPROX. 12ga.) SEALED WITH RUBBER CAULKING

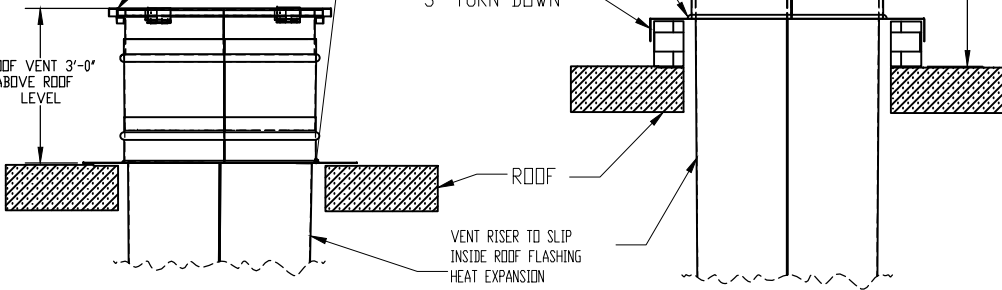
3" TURN DOWN

ROOF VENT 3'-0" ABOVE ROOF LEVEL

ROOF VENT 3'-0" ABOVE ROOF LEVEL

ROOF

VENT RISER TO SLIP INSIDE ROOF FLASHING HEAT EXPANSION



FLAT ROOF FLASHING WITHOUT CURB

FLAT ROOF FLASHING WITH CURB

NOTES:

- 1 - CUSTOMER TO PROVIDE MEASUREMENTS FOR CURB & ROOF PITCH.
- 2 - ROOF CAPS ALLOW VENTING UNDER NORMAL USE WITH HOLD DOWN CLIPS AND HINGES FOR MANUAL RELEASE FOR TOP ACCESS, IF NEEDED.
- 3 - ROOF CAPS AND BASE FLASHING ARE 0.080" (APPROX. 12ga.) ALUMINUM SEALED WITH WEATHERPROOF CAULKING.
- 4 - CURB AND ROOF CONSTRUCTED BY OTHERS.
- 5 - VENT RISER SLIPS INSIDE FLASHING TO ALLOW FOR HEAT EXPANSION.

THE INFORMATION CONTAINED IN THIS DRAWING IS THE SOLE PROPERTY OF CHUTES INTERNATIONAL MANUFACTURING. ANY REPRODUCTION IN PART OR AS A WHOLE WITHOUT THE WRITTEN PERMISSION OF CHUTES INTERNATIONAL MANUFACTURING IS PROHIBITED.



DO NOT SCALE OR ALTER DIMENSIONS W/O PERMISSION

DRAWN:	SMIII	DATE:	6/20/18	DIMENSIONS ARE IN INCHES TOLERANCES: GENERAL FRACTIONAL: MAX 1/8 FOR ASSEMBLY BENDING: MAX +0.03125 BEND ANGLE: ±1° BEND-LINE PLACEMENT: ±0.03125 PUNCHING: ±0.005 WELDING: ADD 0.1250 PER WELD PATH
REVISD BY:	AD	DATE:	7/22/21	
CHECKED BY:				
COMMENTS:	EDITED BY RW			

PART DESCRIPTION:

TYPICAL ROOF VENTS AND FLASHING CONFIGURATION

SIZE	PART NAME:	REV
B		3

SCALE:	WEIGHT:	SHEET 1 OF 1
--------	---------	--------------

4

3

2

1