

4

3

2

1

Standard Bottom Hinge Door Dimensions

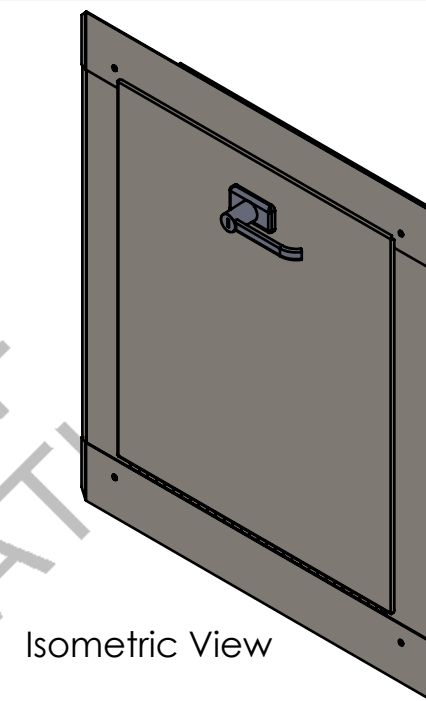
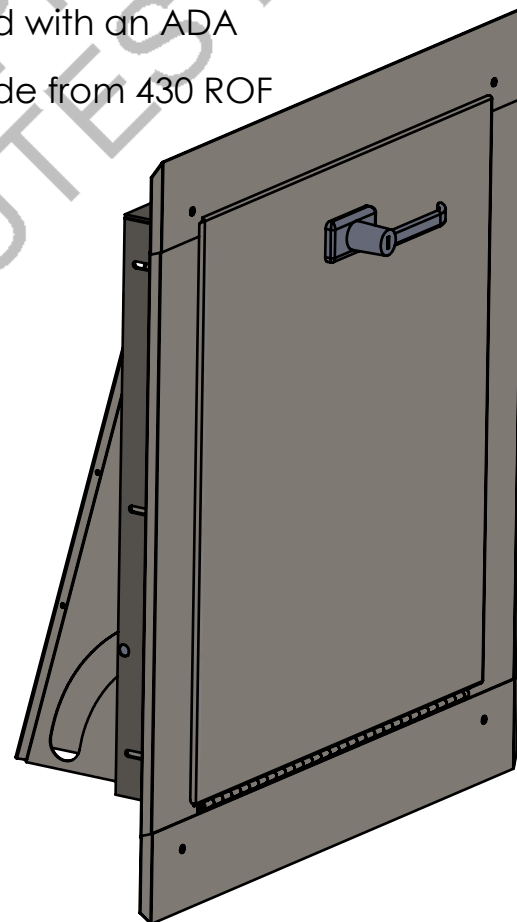
Nominal Door Size	Door ID #	Frame Sleeve		Frame Flange		Outside Trim	
		A	B*	C	D	E	F
15" x 18"	1518BH	15 1/8"	19 3/8"	17 3/4"	21 5/8"	21 1/2"	25 1/8"
15" x 18" Universal Door	UD1518BH	14 1/2"	17 7/8"	17"	20 1/4"	20 1/4"	23 1/2"
18" x 18"	1818BH	18 1/8"	19 3/8"	20 3/4"	21 5/8"	24 1/2"	25 1/8"
21" x 18"	2118BH	21 1/8"	19 3/8"	23 3/4"	21 5/8"	27 1/2"	25 1/8"
24" x 24" **	2424BH	24 1/8"	25 3/8"	26 3/4"	27 5/8"	31"	31 1/8"

*Dimension B Includes Tolerance for Top Plunger, Hinge Screws and Hex Nuts (Screws and Hex Nuts Not Shown in Drawing).

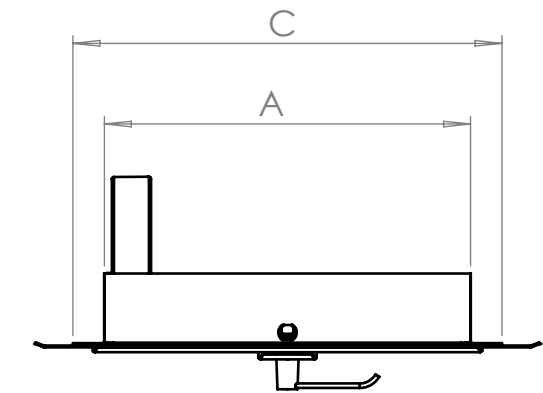
**24" x 24" Bottom-Hinge Doors have Two Cylinder Closers and does not meet 5lbs ADA pull test.

Notes:

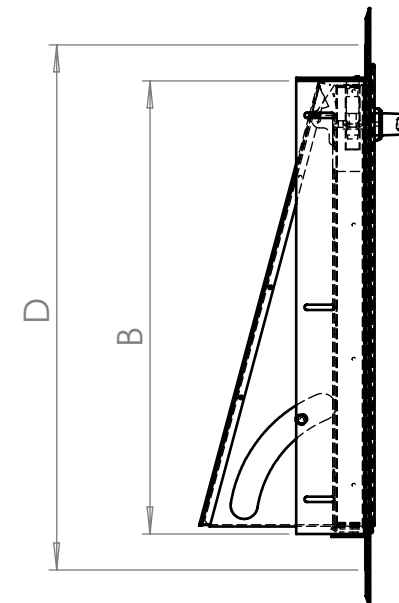
- The through-wall rough opening/throat dimensions should be 1/4" larger than the Frame sleeve dimensions (A and B).
- All Doors are noiseless, self-closing, self-latching, and supplied with an ADA compliant locking lever handle and two keys.
- With the exception of the frames, all standard doors are made from 430 ROF Stainless Steel material.
- All Doors are UL Labeled:
 - Rated: 1 1/2 hour
 - Temperature rise less than 250°F in 30 minutes



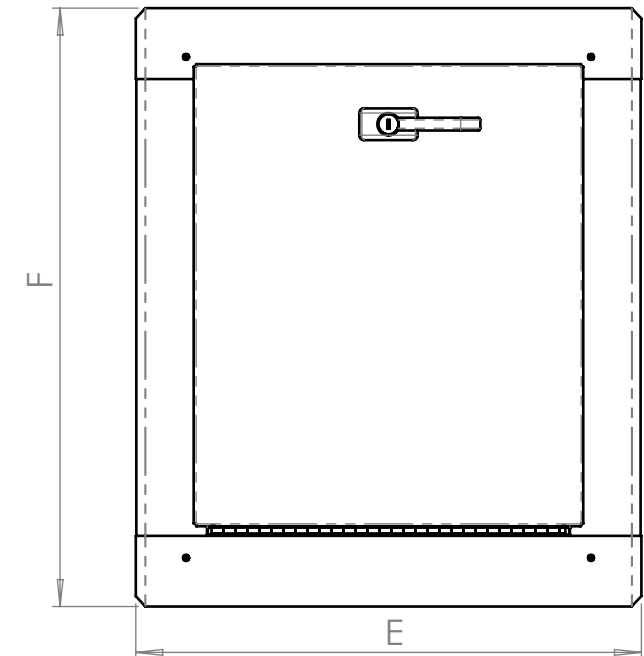
Isometric View



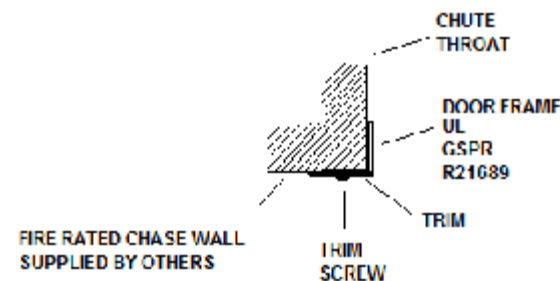
Top View



Side View



Front View




FIRE RATED CHASE WALL
SUPPLIED BY OTHERS

4

3

2

1

UNLESS OTHERWISE SPECIFIED:	NAME	DATE	 33 Industrial Park Dr. Waldorf, MD 20602 Phone: (240) 448-5000 Fax: (301) 753-4108 WWW.CHUTES.COM
DIMENSIONS ARE IN INCHES	DRAWN	KASSIE 07/14/22	
TOLERANCES:	CHECKED		
FRACTIONAL $\pm 1/8$ ANGULAR: MACH $\pm 1^\circ$ BEND $\pm 1^\circ$ BEND-LINE PLACEMENT ± 0.010 THREE PLACE DECIMAL ± 0.125 WELD THICKNESS $+ 1/16$	MFG APPR.		
SHEET MATERIAL:	PROPRIETARY AND CONFIDENTIAL		DESCRIPTION:
Various	THE INFORMATION CONTAINED IN THIS DRAWING IS THE SOLE PROPERTY OF CHUTES INTERNATIONAL MANUFACTURING. ANY REPRODUCTION IN PART OR AS A WHOLE WITHOUT THE WRITTEN PERMISSION OF CHUTES INTERNATIONAL MANUFACTURING IS PROHIBITED.		Standard Bottom Hinge Doors
COMMENTS:	SIZE	PART ID:	REV
Door Panel and Trims are 430 ROF Stainless Steel	B	Bottom Hinge Doors	C
Frame is Mild Steel with a Enamel Painted Finish	DO NOT SCALE DRAWING	SCALE: 1:8	SHEET 1 OF 1

4

3

2

1