

# Introducing our NEW **AUTOMATIC WAVE DOOR**

**opens and closes automatically  
utilizing low voltage.**



Another innovative solution from CHUTES International!

## **NO MORE PNEUMATIC HEADACHES!!!**



# **CHUTES**

PATENTED  
CHUTES INTERNATIONAL™

## **FEATURES**

- Touch-less operation
- Automatically locks out other doors
- Offers service and lock-out modes
- Low maintenance
- Fully electric self opening and closing
- UL labeled control boxes and doors
- Indicator light
- Button included
- Fully ADA compliant
- Quiet and smooth operation
- Loaded with safety features

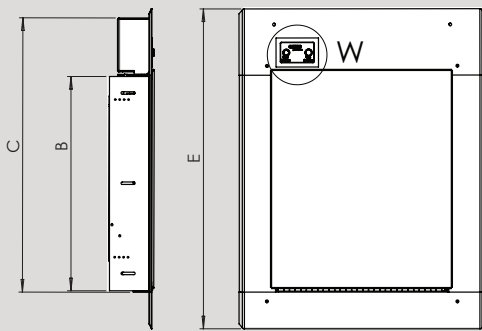
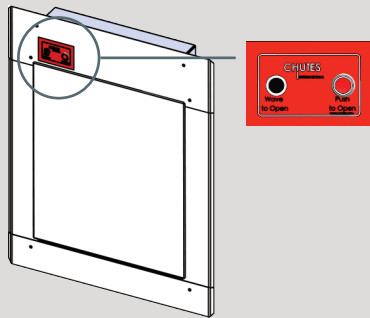
**33 Industrial Park Drive  
Waldorf, MD 20602**

# AutoElectric I Lock Bottom Hinged Door Dimensions

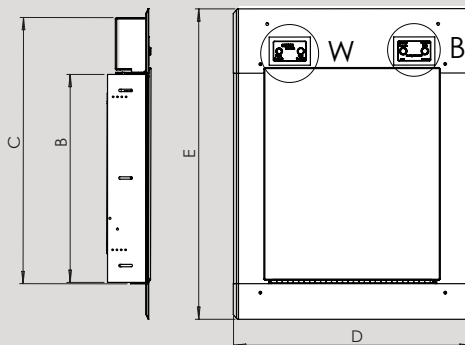
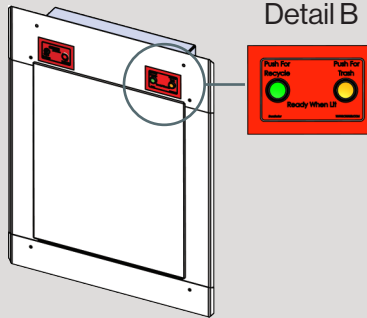
Nominal Door Size	Door ID #	Frame Sleeve		Overall Sleeve	Outside Trim	
		A	B*	C*	D	E
15" x 18"	1518BH-AE	15 1/4"	19 3/8"	24 5/16"	21"	28 5/16"
18" x 18"	1818BH-AE	18 1/8"	19 3/8"	24 5/16"	24"	28 5/16"
21" x 18"	2118BH-AE	21 1/8"	19 3/8"	24 5/16"	27"	28 5/16"
24" x 24" **	2424BH-AE	24 5/8"	25 1/8"	30 5/16"	30"	34 5/16"

\*Dimension B and C Includes Tolerance Hinge Screws and Hex Nuts (Not Shown in Drawing).

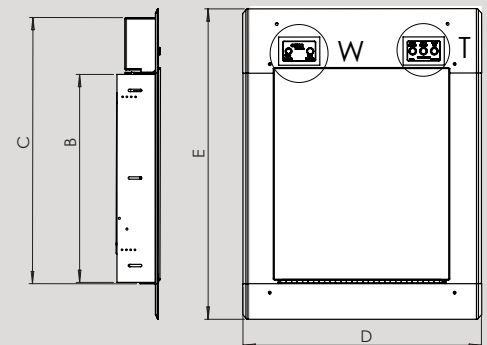
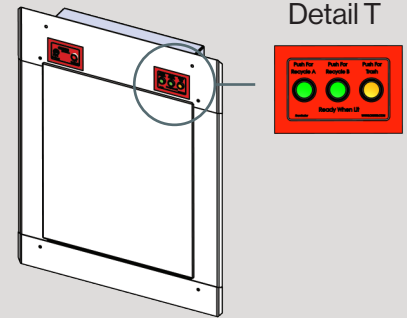
## WAVE



## BISORTER



## TRISORTER



### IMPORTANT NOTES:

- The intake rough opening should be 1/4" larger than the frame sleeve dimensions (A and B).
- The through-wall rough opening should be 1/4" larger than the overall sleeve dimension C and 1/2" larger than the frame sleeve dimension A.
- All Doors are noiseless, self-closing, self-latching, and supplied with an ADA compliant locking lever handle and two keys.
- With the exception of the frames, all standard doors are made from 430 Stainless Steel sheet material.
- All Doors are UL Labeled:
- Rated: 1 1/2 hour
- Temperature rises to less than 250 F in 30 minutes

