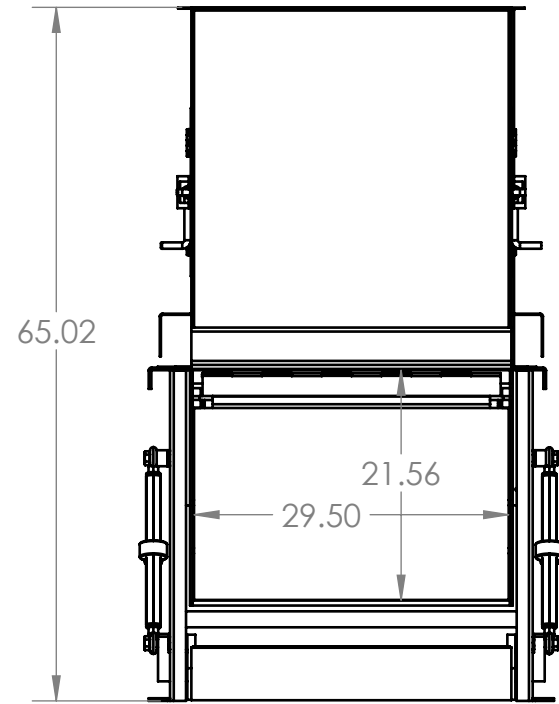
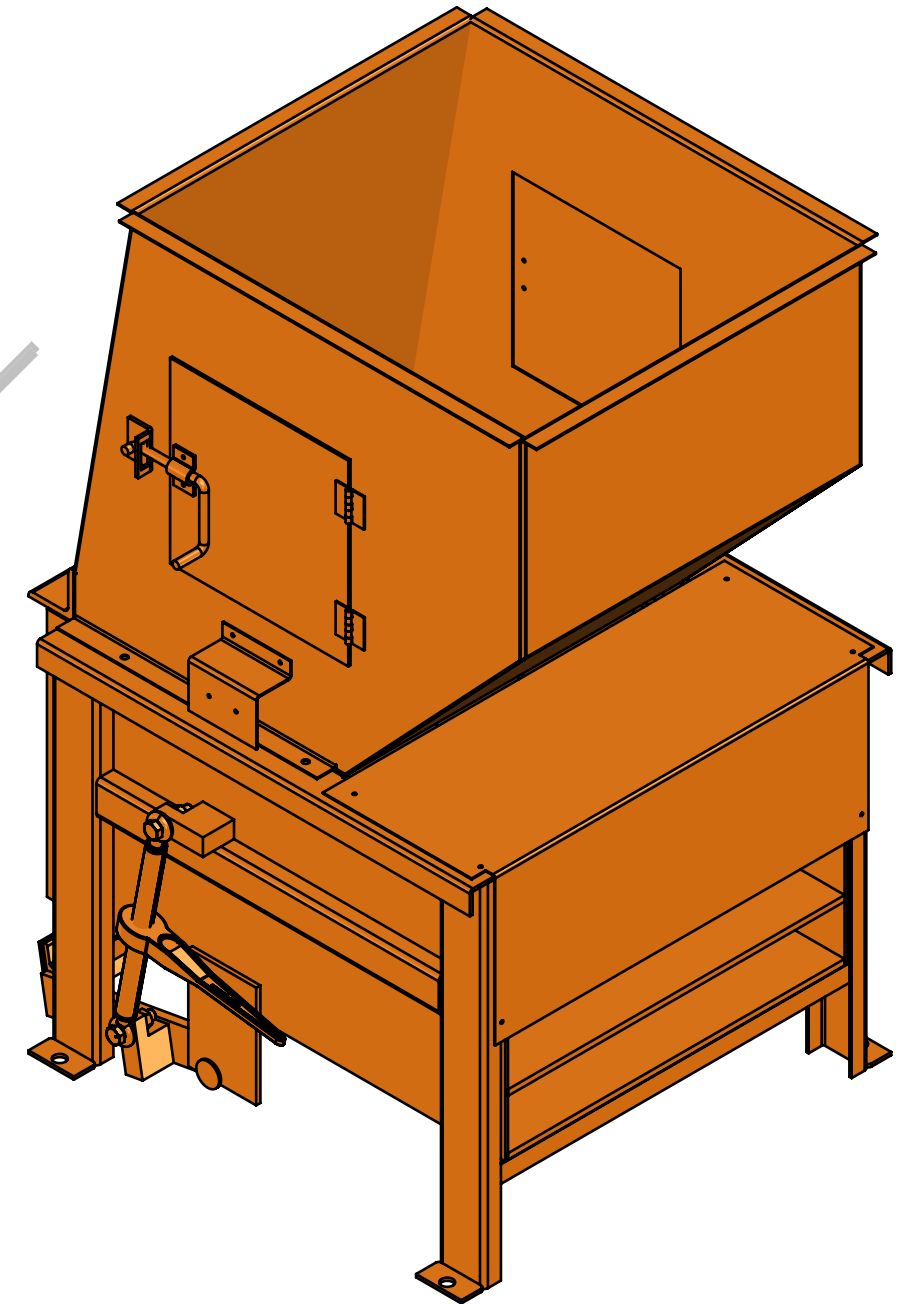
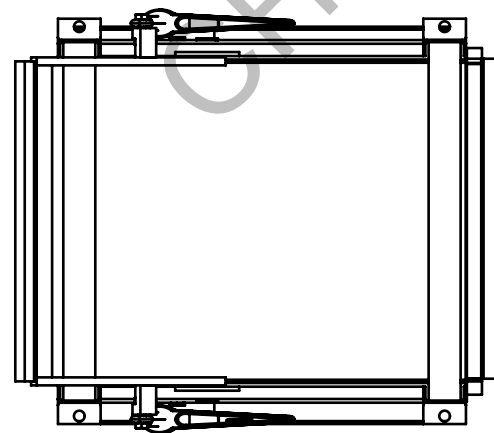
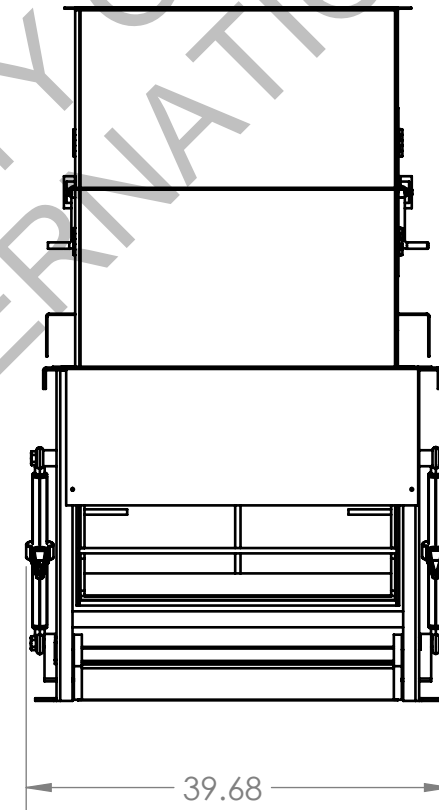
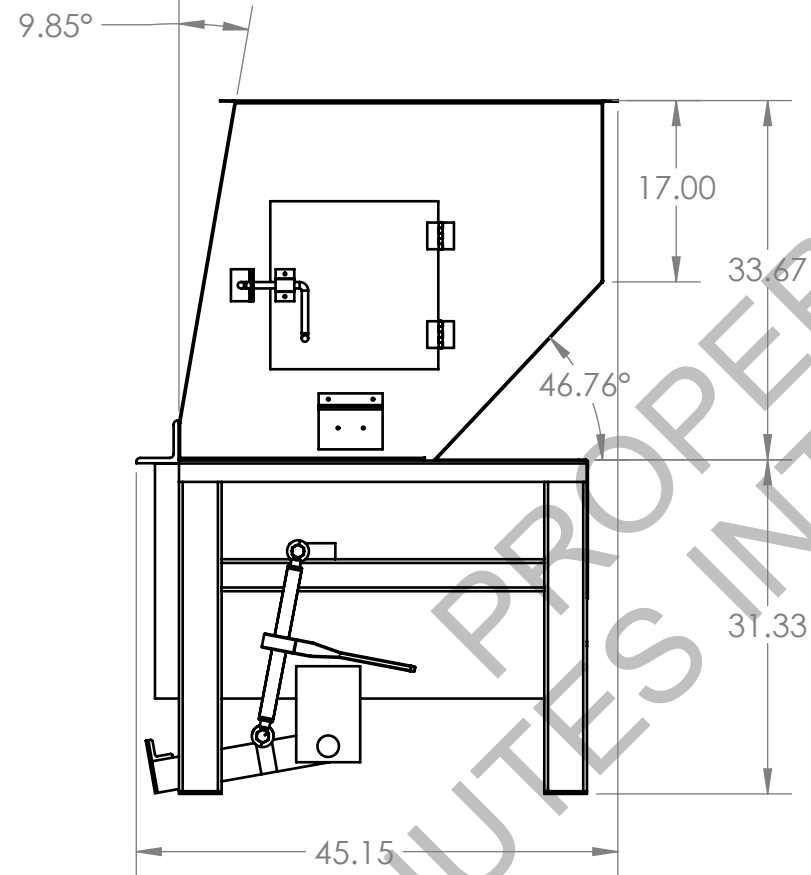
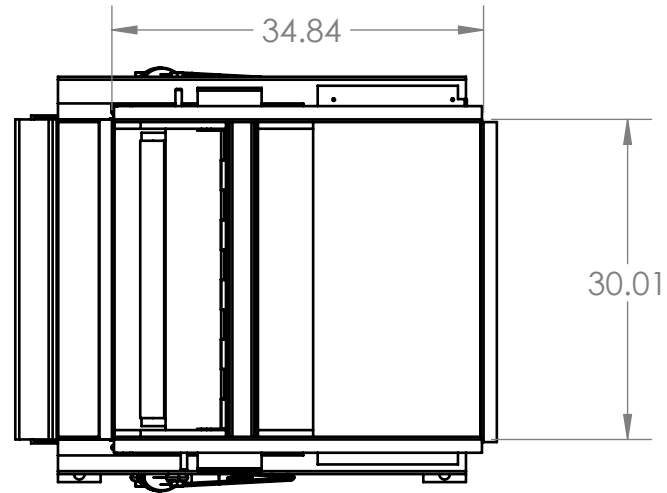


4

3

2

1



UNLESS OTHERWISE SPECIFIED:	NAME	DATE
DIMENSIONS ARE IN INCHES	DRAWN KASSIE	3/20/2025
TOLERANCES:	CHECKED ENG'G	
FRACTIONAL ± 1/16	MFG APPR. MFG'G	
ANGULAR: MACH ± 1° BEND ± 1°	PROPRIETARY AND CONFIDENTIAL	
BEND-LINE PLACEMENT ± 0.010	THE INFORMATION CONTAINED IN THIS DRAWING IS THE SOLE PROPERTY OF CHUTES INTERNATIONAL MANUFACTURING. ANY REPRODUCTION IN PART OR AS A WHOLE WITHOUT THE WRITTEN PERMISSION OF CHUTES INTERNATIONAL MANUFACTURING IS PROHIBITED.	
THREE PLACE DECIMAL ± 0.100		
WELD THICKNESS + 1/16		
SHEET METAL SPECIFICATIONS		
COMMENTS:		

CHUTES INTERNATIONAL™		33 Industrial Park Dr. Waldorf, MD 20602 Phone: (240) 448-5000 Fax: (301) 753-4108 WWW.CHUTES.COM
DESCRIPTION:		
DP-505HD		
SIZE B	PART ID: DP COMPACTOR	REV
DO NOT SCALE DRAWING	SCALE: 1:24	SHEET 1 OF 1

4

3

2

1

B

B

A

A