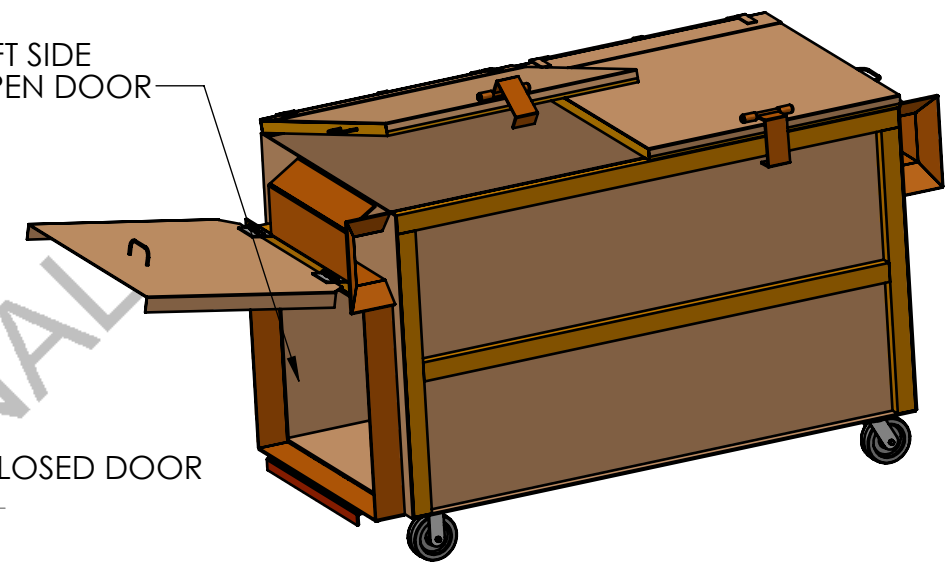
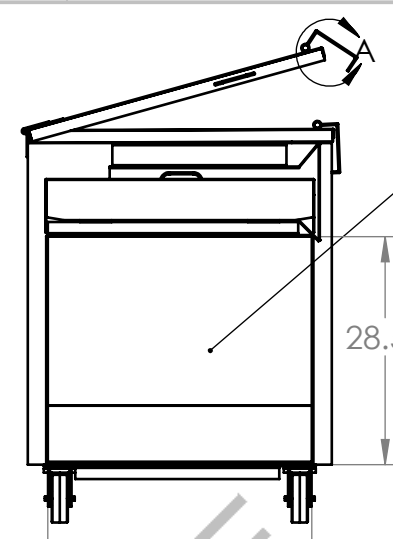
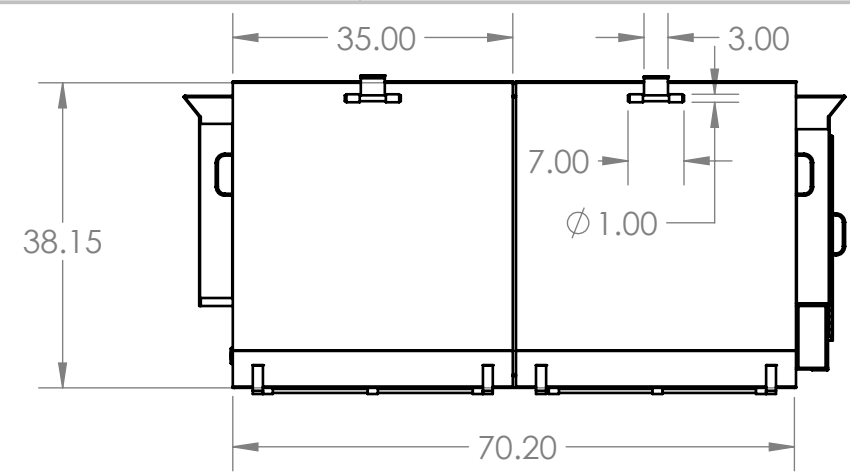


4

3

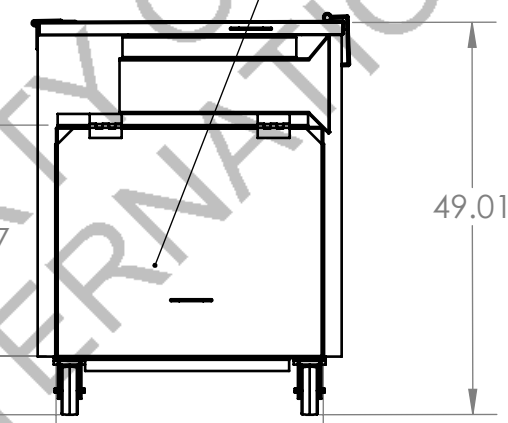
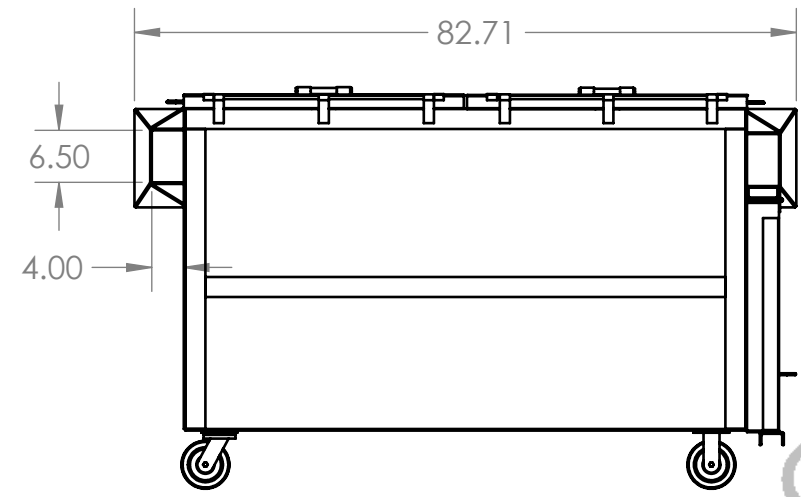
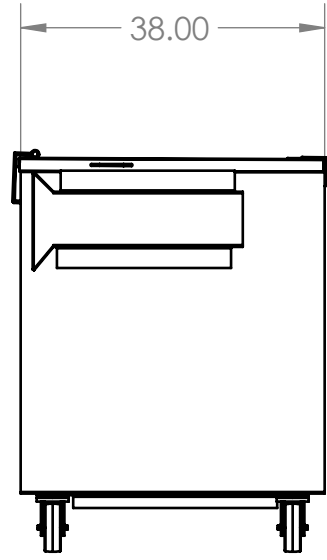
2

1



B

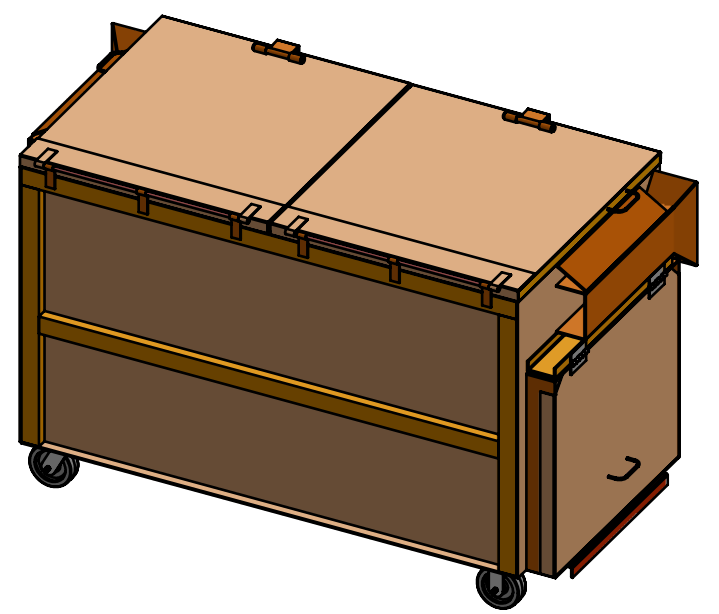
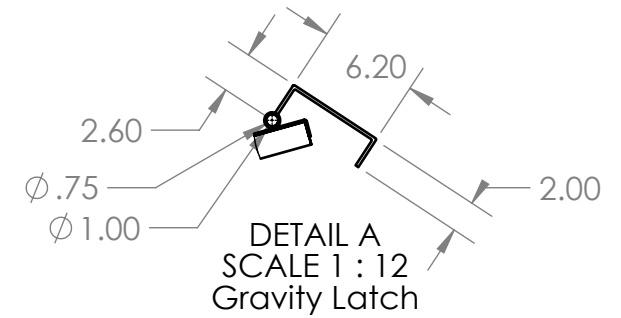
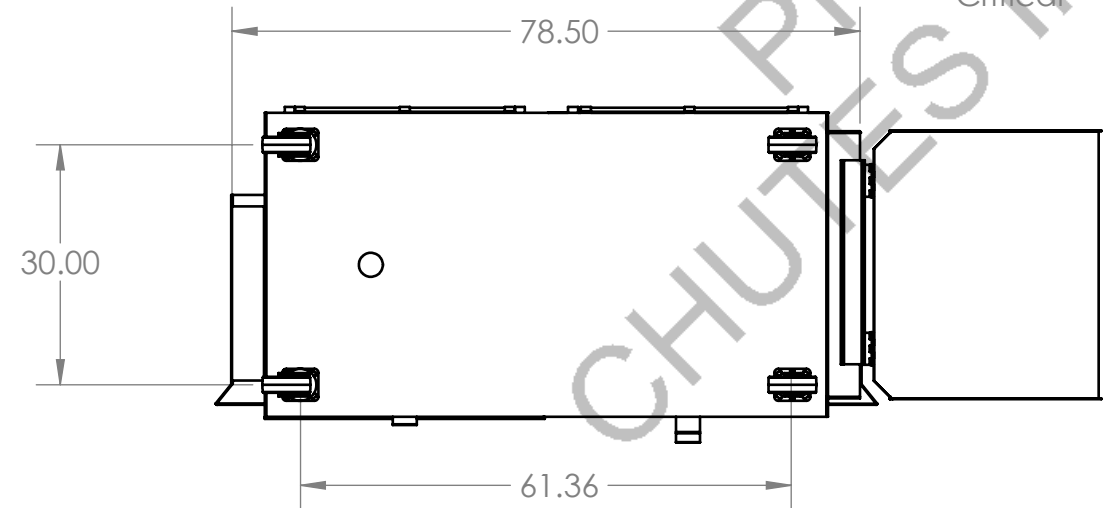
B



LEFT SIDE OPEN DOOR

LEFT SIDE CLOSED DOOR

7.32 Critical



A

A

UNLESS OTHERWISE SPECIFIED:	NAME	DATE
DIMENSIONS ARE IN INCHES	DRAWN KASSIE	08/10/22
TOLERANCES:	CHECKED	
FRACTIONAL ± 1/16	MFG APPR.	
ANGULAR: MACH ± 1° BEND ± 1°	PROPRIETARY AND CONFIDENTIAL	
BEND-LINE PLACEMENT ± 0.010	THE INFORMATION CONTAINED IN THIS DRAWING IS THE SOLE PROPERTY OF CHUTES INTERNATIONAL MANUFACTURING.	
THREE PLACE DECIMAL ± 0.100	ANY REPRODUCTION IN PART OR AS A WHOLE WITHOUT THE WRITTEN PERMISSION OF CHUTES INTERNATIONAL MANUFACTURING IS PROHIBITED.	
WELD THICKNESS + 1/16	PRODUCT IS SUBJECT TO OUR CONTINUOUS IMPROVEMENT PROGRAM AND WE RESERVE THE RIGHT TO IMPLEMENT CHANGES AND IMPROVEMENTS TO THE PRODUCTS SHOWN HEREIN WITHOUT PRIOR NOTICE.	
SHEET METAL SPECIFICATIONS		
COMMENTS:		

CHUTES
 PATENTED CHUTES INTERNATIONAL™
 33 Industrial Park Dr.
 Waldorf, MD 20602
 Phone: (240) 448-5000
 Fax: (301) 753-4108
 WWW.CHUTES.COM

DESCRIPTION:
2 CUBIC YARD CONTAINER CAN 500

SIZE B	PART ID: CONTAINER	REV A
DO NOT SCALE DRAWING	SCALE: 1:24	SHEET 1 OF 1

4

3

2

1