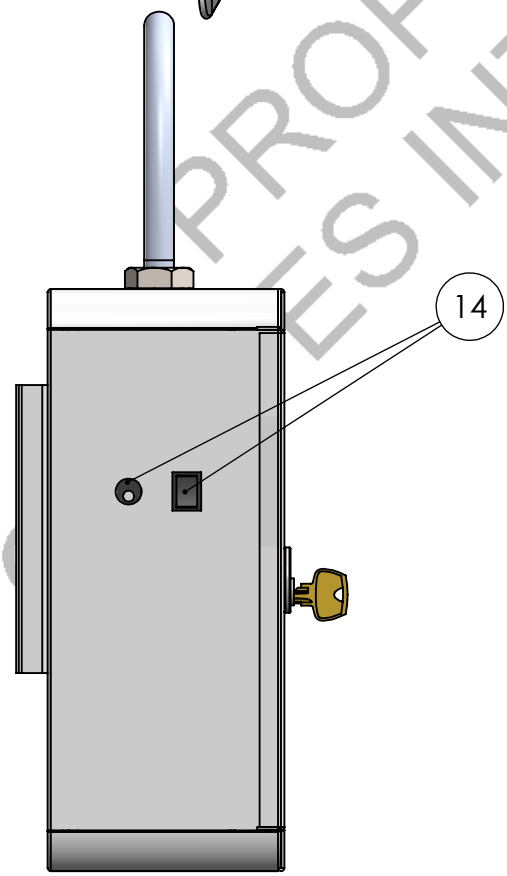
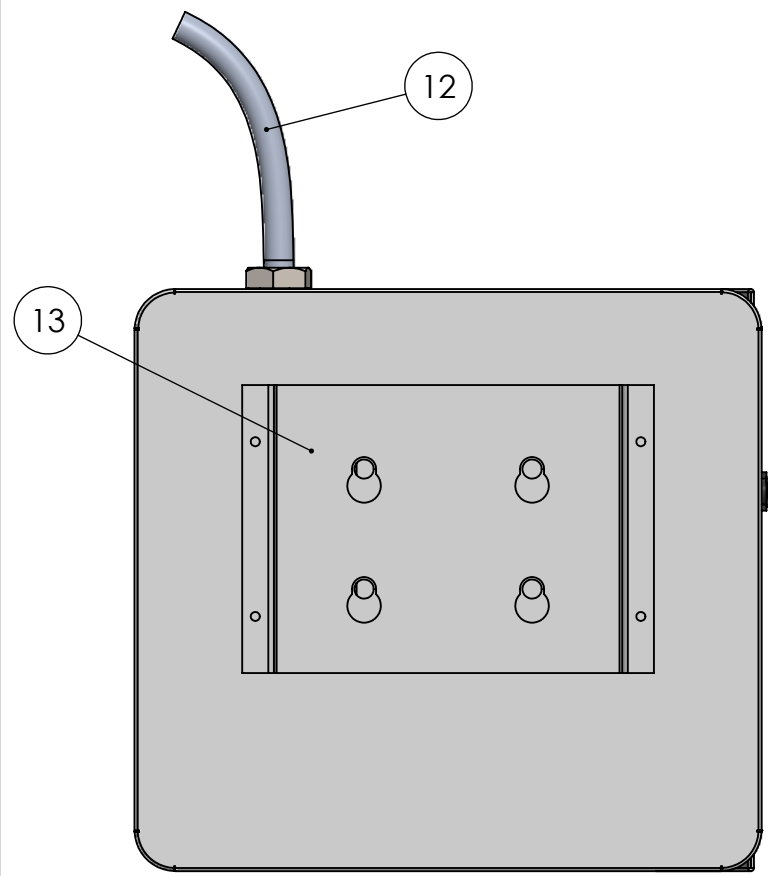
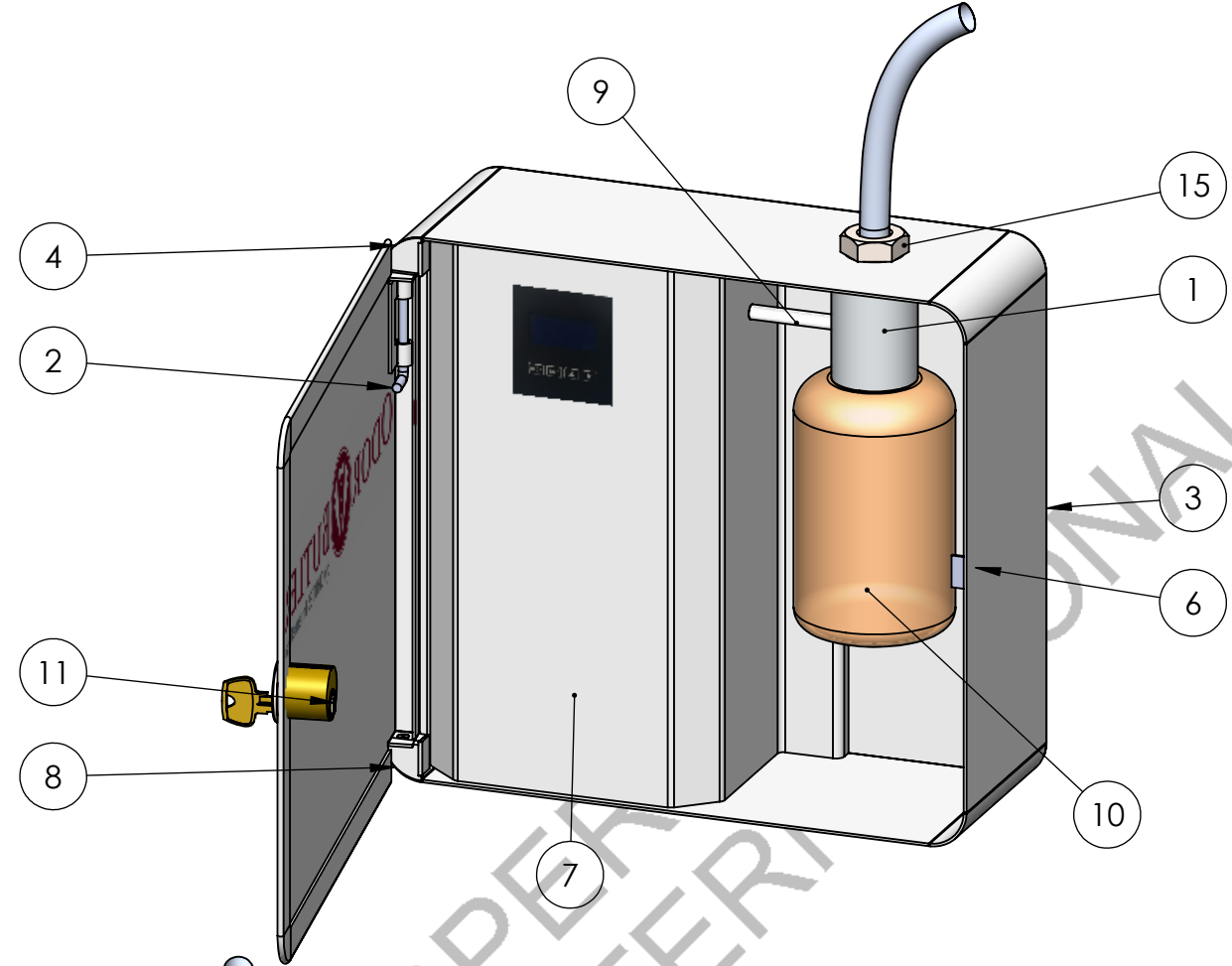
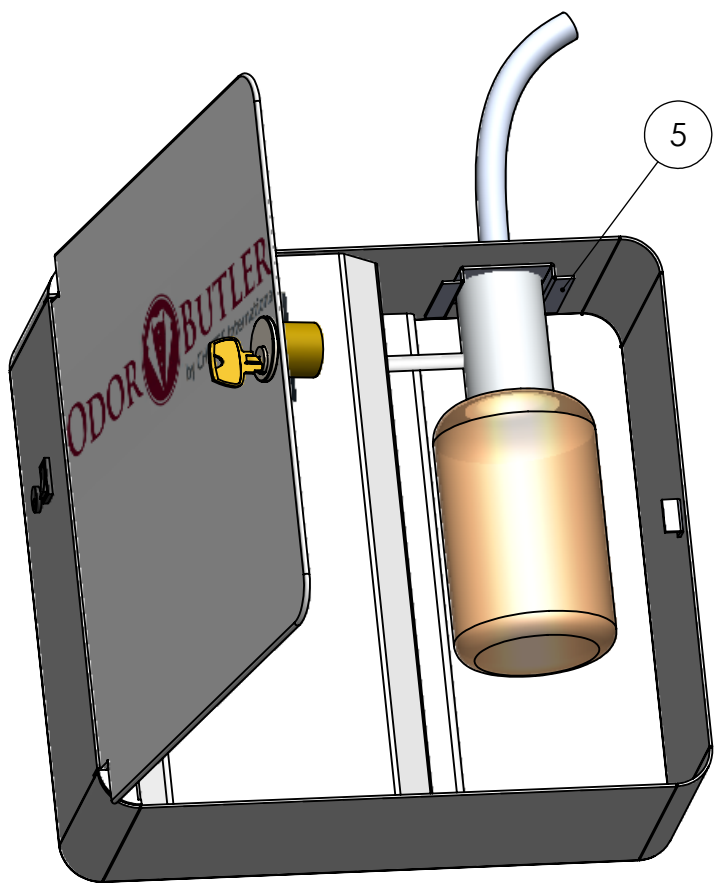


4

3

2

1



ITEM NO.	PART NUMBER	DESCRIPTION	QTY.
1	Bottle Top		1
2	Front Door Subassembly		1
3	Body		1
4	Top Corner		1
5	Bottle Holder		1
6	Lock Frame		1
7	Control Box		1
8	Bottom Corner 2		1
9	Transfer Tube^Odor Contrall Box Small Assy		1
10	Bottle		1
11	Key		1
12	Exit Tubing		1
13	Back Plate		1
14	Switch and Plug		1
15	heavy hex jam nut_ai		1

UNLESS OTHERWISE SPECIFIED:
 DIMENSIONS ARE IN INCHES
 TOLERANCES:
 FRACTIONAL ± 1/16
 ANGULAR: MACH±1° BEND ±1°
 BEND-LINE PLACEMENT ±0.010
 THREE PLACE DECIMAL ±0.100
 WELD THICKNESS + 1/16
 SHEET METAL SPECIFICATIONS
 COMMENTS:

NAME	DATE
DRAWN KASSIE	07/18/22
CHECKED	
MFG APPR.	

PROPRIETARY AND CONFIDENTIAL
 THE INFORMATION CONTAINED IN THIS DRAWING IS THE SOLE PROPERTY OF CHUTES INTERNATIONAL MANUFACTURING. ANY REPRODUCTION IN PART OR AS A WHOLE WITHOUT THE WRITTEN PERMISSION OF CHUTES INTERNATIONAL MANUFACTURING IS PROHIBITED.

CHUTES
 PATENTED CHUTES INTERNATIONAL™
 33 Industrial Park Dr.
 Waldorf, MD 20602
 Phone: (240) 448-5000
 Fax: (301) 753-4108
 WWW.CHUTES.COM

DESCRIPTION:
ODOR CONTROL BOX

SIZE	PART ID:	REV
B		

BACK VIEW

LEFT SIDE

4

3

2

1

4

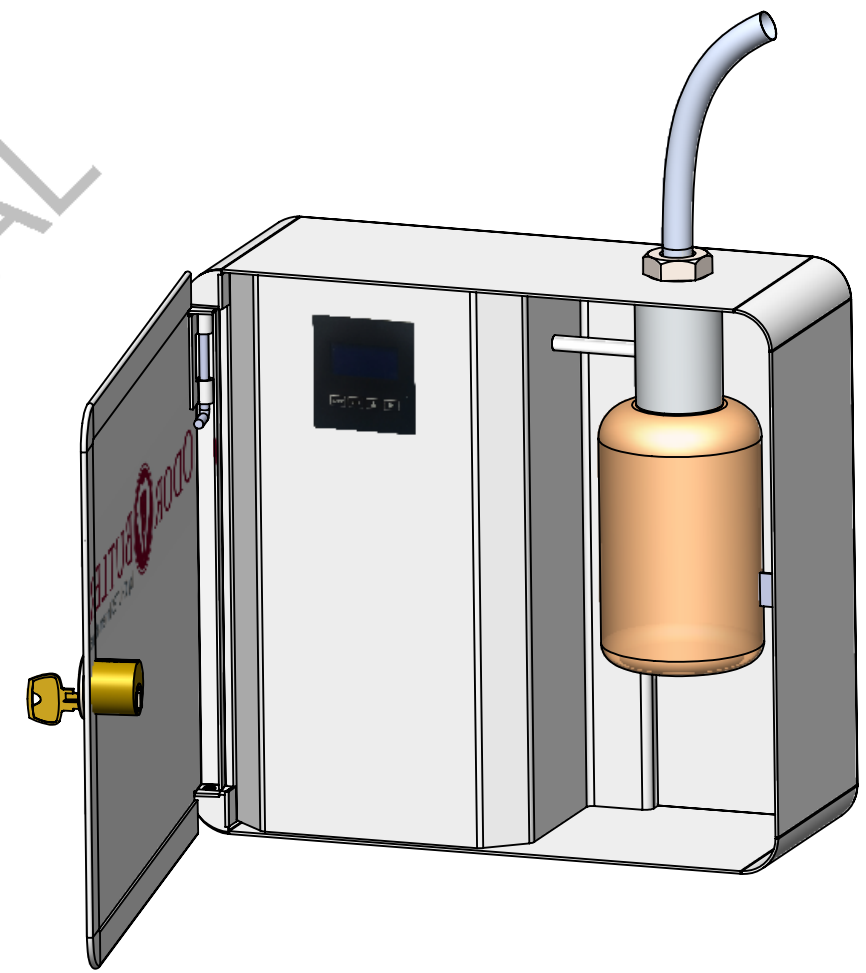
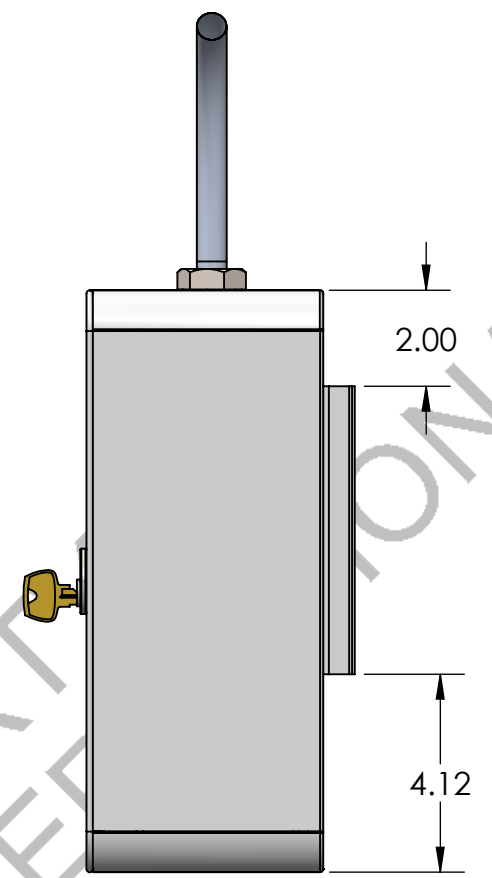
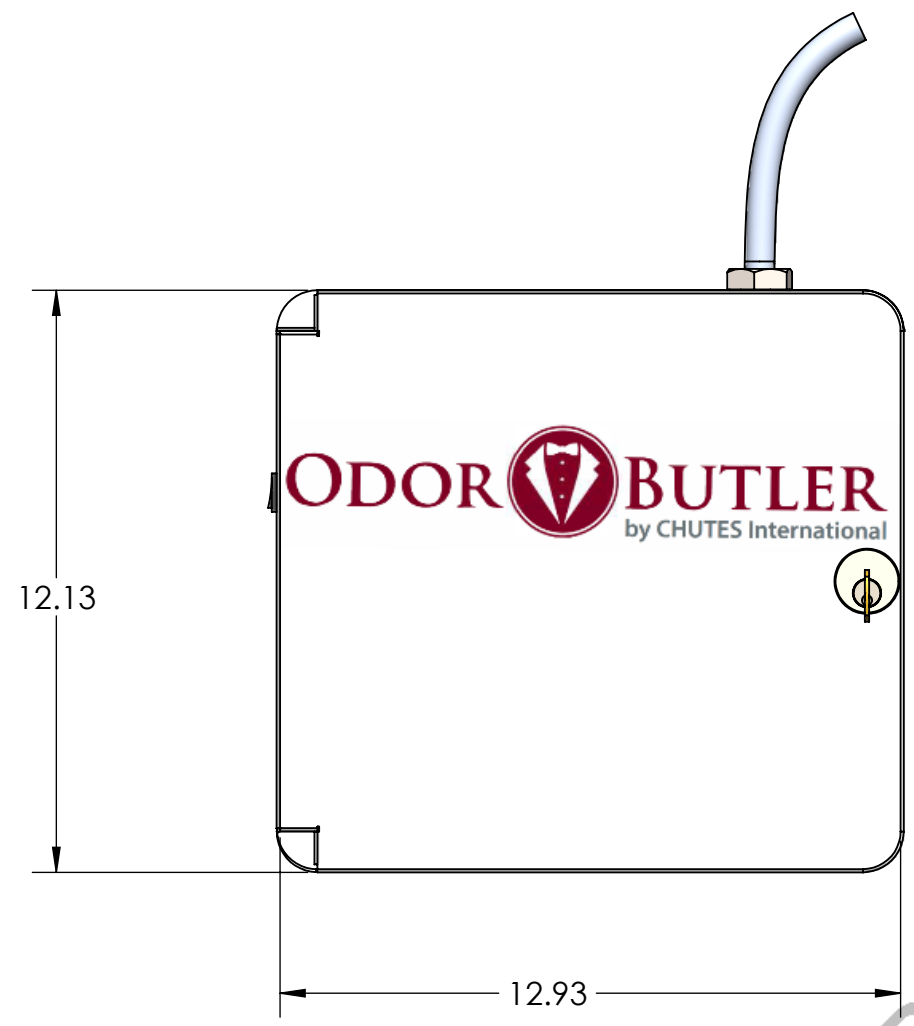
3

2

1

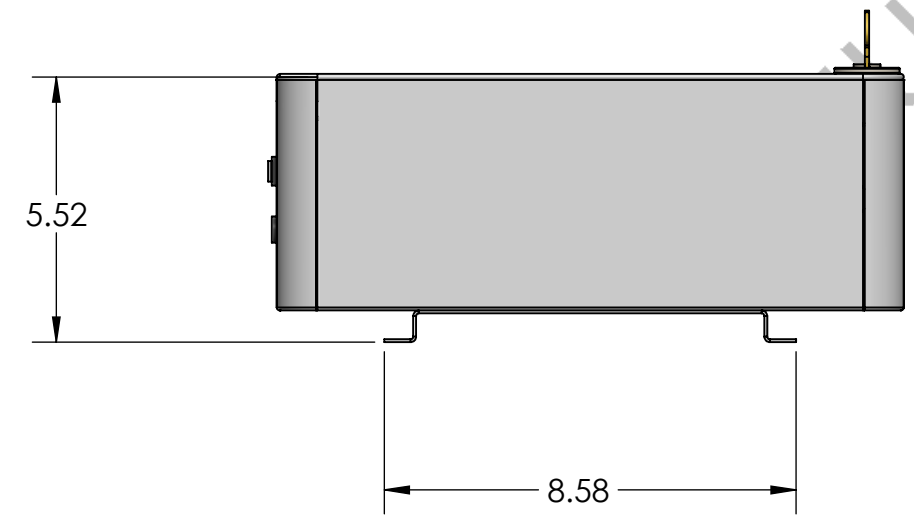
B

B



A

A



CHUTES INTERNATIONAL
 PROPERTY OF CHUTES INTERNATIONAL

UNLESS OTHERWISE SPECIFIED:	NAME	DATE
DIMENSIONS ARE IN INCHES	DRAWN KASSIE	07/18/22
TOLERANCES:	CHECKED	
FRACTIONAL ± 1/16	MFG APPR.	
ANGULAR: MACH ± 1° BEND ± 1°	PROPRIETARY AND CONFIDENTIAL THE INFORMATION CONTAINED IN THIS DRAWING IS THE SOLE PROPERTY OF CHUTES INTERNATIONAL MANUFACTURING. ANY REPRODUCTION IN PART OR AS A WHOLE WITHOUT THE WRITTEN PERMISSION OF CHUTES INTERNATIONAL MANUFACTURING IS PROHIBITED.	
BEND-LINE PLACEMENT ± 0.010		
THREE PLACE DECIMAL ± 0.100		
WELD THICKNESS + 1/16		
SHEET METAL SPECIFICATIONS		
COMMENTS:		

CHUTES
 PATENTED CHUTES INTERNATIONAL™
 33 Industrial Park Dr.
 Waldorf, MD 20602
 Phone: (240) 448-5000
 Fax: (301) 753-4108
 WWW.CHUTES.COM

DESCRIPTION:
ODOR CONTROL BOX

SIZE B	PART ID:	REV
DO NOT SCALE DRAWING	SCALE: 1:8	SHEET 2 OF 2

4

3

2

1